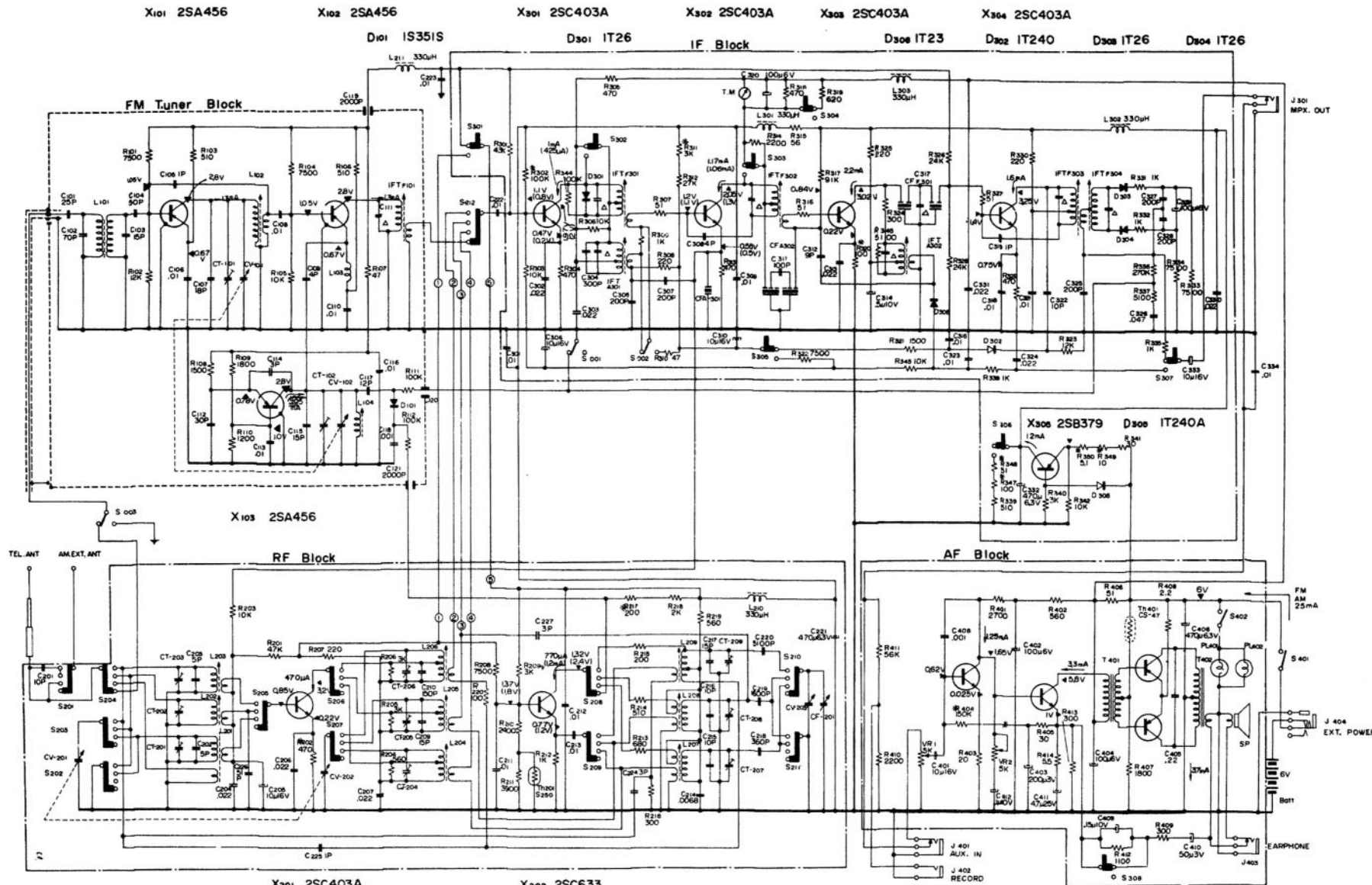


SONY TFM-100WB



Band Switch shown is set to FM Position.
 Voltage or Current in () is at AM Setting of Band Switch.
 ⊗ : Resistance Value to be Selected.
 △ : Built-in IFT
 PL_{101, 102}: Pilot Lamp
 T. M.: Tuning Meter

S₃₀₁ : AFC Switch
 S₃₀₂ : AM DX/Local Switch
 S₃₀₃ : FM DX/Local Switch
 S₃₀₁₋₃₁₂ : Band Setting Switch
 S₃₀₁₋₃₀₈ : FM/AM Selecting Switch
 S₄₀₁ : Power Switch
 S₄₀₂ : Lamp Switch

X401 2SC633 X402 2SC633 X403 2SB383 X404 2SB383