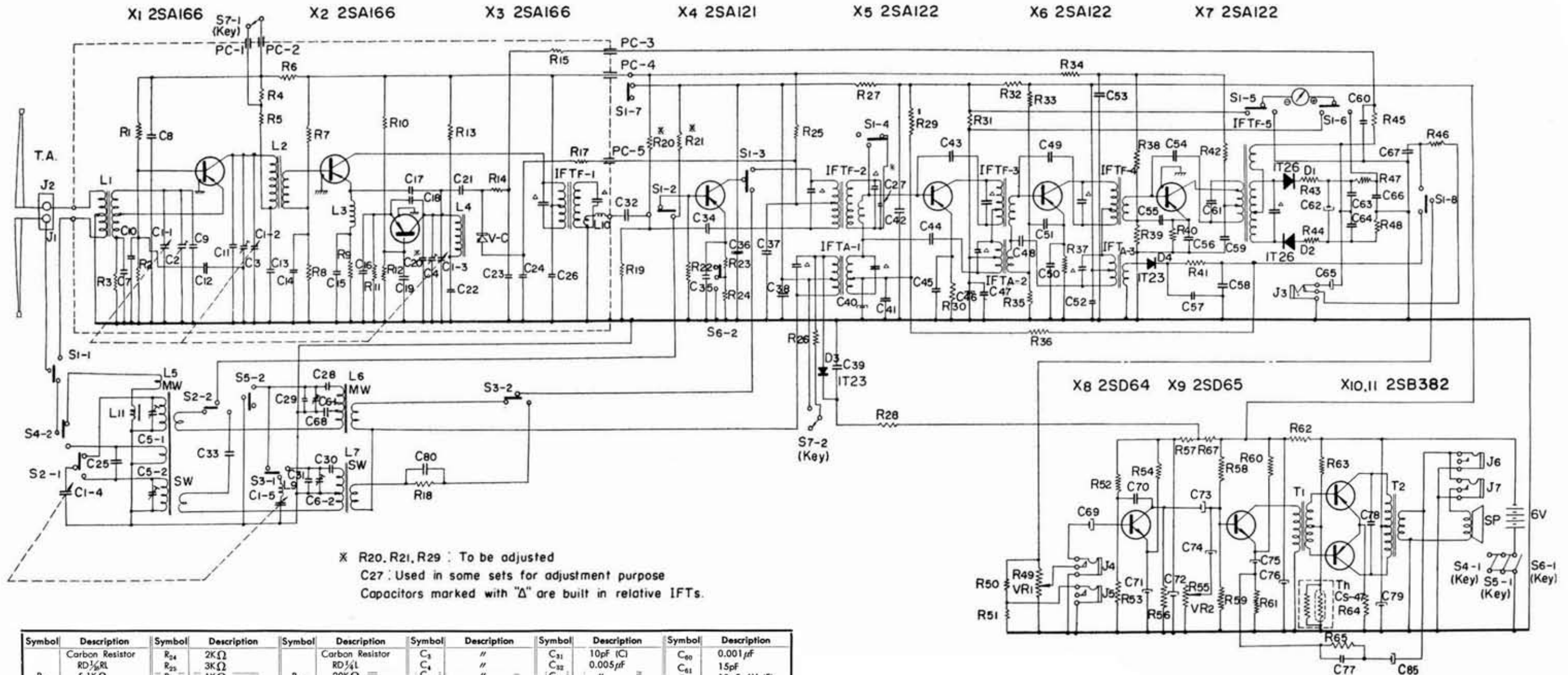


SONY TFM-116A



Symbol	Description	Symbol	Description	Symbol	Description	Symbol	Description	Symbol	Description
R ₁	Carbon Resistor RD ¹ / ₁₆ RL	R ₂₄	2KΩ	R ₅₀	Carbon Resistor RD ¹ / ₄ L	C ₃₁	10pF (C)	C ₆₀	0.001μf
R ₂	5.1KΩ	R ₂₅	3KΩ	R ₅₁	20KΩ	C ₃₂	0.005μf	C ₆₁	15pF
R ₃	3.3KΩ	R ₂₆	1KΩ	R ₅₂	2KΩ	C ₃₃	"	C ₆₂	10μf 6V (E)
R ₄	1KΩ	R ₂₇	27Ω	R ₅₃	4.3KΩ	C ₃₄	2pF	C ₆₃	200pF (C)
R ₅	3.6KΩ	R ₂₈	470Ω	R ₅₄	12KΩ	C ₃₅	0.005μf	C ₆₄	"
R ₆	270Ω	R ₂₉	75KΩ	R ₅₅	750Ω	C ₃₆	200μf 6V (E)	C ₆₅	10μf 6V (E)
R ₇	27Ω	R ₃₀	470Ω	R ₅₆	5KΩ (VR ₂)	C ₃₇	0.01μf (C)	C ₆₆	0.01μf (C)
R ₈	9.1KΩ	R ₃₁	2.2KΩ	R ₅₇	1.8KΩ	C ₃₈	"	C ₆₇	0.02μf (M)
R ₉	3.3KΩ	R ₃₂	27Ω	R ₅₈	330Ω	C ₃₉	15pF	C ₆₈	0.05μf (C)
R ₁₀	470Ω	R ₃₃	18KΩ	R ₅₉	3.3KΩ	C ₄₀	10μf 6V (E)	C ₆₉	10μf 6V (E)
R ₁₁	5.1KΩ	R ₃₄	220Ω	R ₆₀	6.8KΩ	C ₄₁	0.01μf (C)	C ₇₀	0.002μf (M)
R ₁₂	1KΩ	R ₃₅	3.3KΩ	R ₆₁	270Ω	C ₄₂	"	C ₇₁	100μf 6V (E)
R ₁₃	3.6KΩ	R ₃₆	5.6KΩ	R ₆₂	270Ω	C ₄₃	2pF	C ₇₂	200μf 6V
R ₁₄	620Ω	R ₃₇	470Ω	R ₆₃	3.3KΩ	C ₄₄	1pF	C ₇₃	10μf 6V
R ₁₅	51KΩ	R ₃₈	10KΩ	R ₆₄	6.8KΩ	C ₄₅	0.01μf	C ₇₄	0.3μf 15V
R ₁₆	240KΩ	R ₃₉	10KΩ	R ₆₅	270Ω	C ₄₆	3pF	C ₇₅	100μf 6V
R ₁₇	—deleted—	R ₄₀	2.7KΩ	R ₆₆	4pF	C ₄₇	0.01μf (C)	C ₇₆	500μf 6V
R ₁₈	Carbon Resistor RD ¹ / ₁₆ RL	R ₄₁	1KΩ	R ₆₇	0.01μf	C ₄₈	1pF	C ₇₇	0.02μf (M)
R ₁₉	100KΩ	R ₄₂	2.2KΩ	R ₆₈	75Ω	C ₄₉	"	C ₇₈	0.3μf (MP)
R ₂₀	RD ¹ / ₄ L	R ₄₃	150Ω	R ₆₉	1.8KΩ	C ₅₀	0.01μf	C ₇₉	200μf 6V (E)
R ₂₁	1KΩ	R ₄₄	330Ω	R ₇₀	1Ω	C ₅₁	"	C ₈₀	10pF (C)
R ₂₂	2.2KΩ	R ₄₅	330Ω	R ₇₁	220Ω	C ₅₂	"	C ₈₁	1800pF (F)
R ₂₃	13KΩ	R ₄₆	51KΩ	R ₇₂	—deleted—	C ₅₃	"	C ₈₂	1μf 6V (E)
R ₂₄	33KΩ	R ₄₇	1KΩ	R ₇₃	56KΩ	C ₅₄	3pF		
R ₂₅	12KΩ	R ₄₈	5.1KΩ	R ₇₄	56KΩ	C ₅₅	0.01μf		
R ₂₆	300Ω	R ₄₉	5.6KΩ	R ₇₅	56KΩ	C ₅₆	4pF		
		R ₅₀	Volume Control 5KΩ (VR ₁)	R ₇₆	56KΩ	C ₅₇	370pF (S)		
		R ₅₁	—deleted—	R ₇₇	56KΩ	C ₅₈	12pF (C)		
		R ₅₂	—deleted—	R ₇₈	56KΩ	C ₅₉	1000pF (S)		
		R ₅₃	—deleted—	R ₇₉	56KΩ				
		R ₅₄	—deleted—	R ₈₀	56KΩ				
		R ₅₅	—deleted—	R ₈₁	56KΩ				
		R ₅₆	—deleted—	R ₈₂	56KΩ				
		R ₅₇	—deleted—	R ₈₃	56KΩ				
		R ₅₈	—deleted—	R ₈₄	56KΩ				
		R ₅₉	—deleted—	R ₈₅	56KΩ				
		R ₆₀	—deleted—	R ₈₆	56KΩ				
		R ₆₁	—deleted—	R ₈₇	56KΩ				
		R ₆₂	—deleted—	R ₈₈	56KΩ				
		R ₆₃	—deleted—	R ₈₉	56KΩ				
		R ₆₄	—deleted—	R ₉₀	56KΩ				
		R ₆₅	—deleted—	R ₉₁	56KΩ				
		R ₆₆	—deleted—	R ₉₂	56KΩ				
		R ₆₇	—deleted—	R ₉₃	56KΩ				
		R ₆₈	—deleted—	R ₉₄	56KΩ				
		R ₆₉	—deleted—	R ₉₅	56KΩ				
		R ₇₀	—deleted—	R ₉₆	56KΩ				
		R ₇₁	—deleted—	R ₉₇	56KΩ				
		R ₇₂	—deleted—	R ₉₈	56KΩ				
		R ₇₃	—deleted—	R ₉₉	56KΩ				
		R ₇₄	—deleted—	R ₁₀₀	56KΩ				
		R ₇₅	—deleted—	R ₁₀₁	56KΩ				
		R ₇₆	—deleted—	R ₁₀₂	56KΩ				
		R ₇₇	—deleted—	R ₁₀₃	56KΩ				
		R ₇₈	—deleted—	R ₁₀₄	56KΩ				
		R ₇₉	—deleted—	R ₁₀₅	56KΩ				
		R ₈₀	—deleted—	R ₁₀₆	56KΩ				
		R ₈₁	—deleted—	R ₁₀₇	56KΩ				
		R ₈₂	—deleted—	R ₁₀₈	56KΩ				
		R ₈₃	—deleted—	R ₁₀₉	56KΩ				
		R ₈₄	—deleted—	R ₁₁₀	56KΩ				
		R ₈₅	—deleted—	R ₁₁₁	56KΩ				
		R ₈₆	—deleted—	R ₁₁₂	56KΩ				
		R ₈₇	—deleted—	R ₁₁₃	56KΩ				
		R ₈₈	—deleted—	R ₁₁₄	56KΩ				
		R ₈₉	—deleted—	R ₁₁₅	56KΩ				
		R ₉₀	—deleted—	R ₁₁₆	56KΩ				
		R ₉₁	—deleted—	R ₁₁₇	56KΩ				
		R ₉₂	—deleted—	R ₁₁₈	56KΩ				
		R ₉₃	—deleted—	R ₁₁₉	56KΩ				
		R ₉₄	—deleted—	R ₁₂₀	56KΩ				
		R ₉₅	—deleted—	R ₁₂₁	56KΩ				
		R ₉₆	—deleted—	R ₁₂₂	56KΩ				
		R ₉₇	—deleted—	R ₁₂₃	56KΩ				
		R ₉₈	—deleted—	R ₁₂₄	56KΩ				
		R ₉₉	—deleted—	R ₁₂₅	56KΩ				
		R ₁₀₀	—deleted—	R ₁₂₆	56KΩ				
		R ₁₀₁	—deleted—	R ₁₂₇	56KΩ				
		R ₁₀₂	—deleted—	R ₁₂₈	56KΩ				
		R ₁₀₃	—deleted—	R ₁₂₉	56KΩ				
		R ₁₀₄	—deleted—	R ₁₃₀	56KΩ				
		R ₁₀₅	—deleted—	R ₁₃₁	56KΩ				
		R ₁₀₆	—deleted—	R ₁₃₂	56KΩ				
		R ₁₀₇	—deleted—	R ₁₃₃	56KΩ				
		R ₁₀₈	—deleted—	R ₁₃₄	56KΩ				
		R ₁₀₉	—deleted—	R ₁₃₅	56KΩ				
		R ₁₁₀	—deleted—	R ₁₃₆	56KΩ				
		R ₁₁₁	—deleted—	R ₁₃₇	56KΩ				
		R ₁₁₂	—deleted—	R ₁₃₈	56KΩ				
		R ₁₁₃	—deleted—	R ₁₃₉	56KΩ				
		R ₁₁₄	—deleted—	R ₁₄₀	56KΩ				
		R ₁₁₅	—deleted—	R ₁₄₁	56KΩ				
		R ₁₁₆	—deleted—	R ₁₄₂	56KΩ				
		R ₁₁₇	—deleted—	R ₁₄₃	56KΩ				
		R ₁₁₈	—deleted—	R ₁₄₄	56KΩ				
		R ₁₁₉	—deleted—	R ₁₄₅	56KΩ				
		R ₁₂₀	—deleted—	R ₁₄₆	56KΩ				
		R ₁₂₁	—deleted—	R ₁₄₇	56KΩ				
		R ₁₂₂	—deleted—	R ₁₄₈	56KΩ				
		R ₁₂₃	—deleted—	R ₁₄₉	56KΩ				
		R ₁₂₄	—deleted—	R ₁₅₀	56KΩ				
		R ₁₂₅	—deleted—	R ₁₅₁	56KΩ				
		R ₁₂₆	—deleted—	R ₁₅₂	56KΩ				
		R ₁₂₇	—deleted—	R ₁₅₃	56KΩ				
		R ₁₂₈	—deleted—	R ₁₅₄	56KΩ				
		R ₁₂₉	—deleted—	R ₁₅₅	56KΩ				
		R ₁₃₀	—deleted—	R ₁₅₆	56KΩ				
		R ₁₃₁	—deleted—	R ₁₅₇	56KΩ				
		R ₁₃₂	—deleted—	R ₁₅₈	56KΩ				
		R ₁₃₃	—deleted—	R ₁₅₉	56KΩ				
		R ₁₃₄	—deleted—	R ₁₆₀	56KΩ				
		R ₁₃₅	—deleted—	R ₁₆₁	56KΩ				
		R ₁₃₆	—deleted—	R ₁₆₂	56KΩ				
		R ₁₃₇	—deleted—	R ₁₆₃	56KΩ				
		R ₁₃₈	—deleted—	R ₁₆₄	56KΩ				
		R ₁₃₉	—deleted—	R ₁₆₅	56KΩ				
		R ₁₄₀	—deleted—	R ₁₆₆	56KΩ				
		R ₁₄₁	—deleted—	R ₁₆₇	56KΩ				
		R ₁₄₂	—deleted—	R ₁₆₈	56KΩ				
		R ₁₄₃	—deleted—	R ₁₆₉	56KΩ				
		R ₁₄₄	—deleted—	R ₁₇₀	56KΩ				
		R ₁₄₅	—deleted—	R ₁₇₁	56KΩ				
		R ₁₄₆	—deleted—	R ₁₇₂	56KΩ				
		R ₁₄₇	—deleted—	R ₁₇₃	56KΩ				
		R ₁₄₈	—deleted—	R ₁₇₄	56KΩ				
		R ₁₄₉	—deleted—	R ₁₇₅	56KΩ				
		R ₁₅₀	—deleted—	R ₁₇₆	56KΩ				

* To be adjusted Ceramic (C) Electrolytic (E) Mylar (M) Styrol (S) Feed Through Capacitor (F) MP (MP)