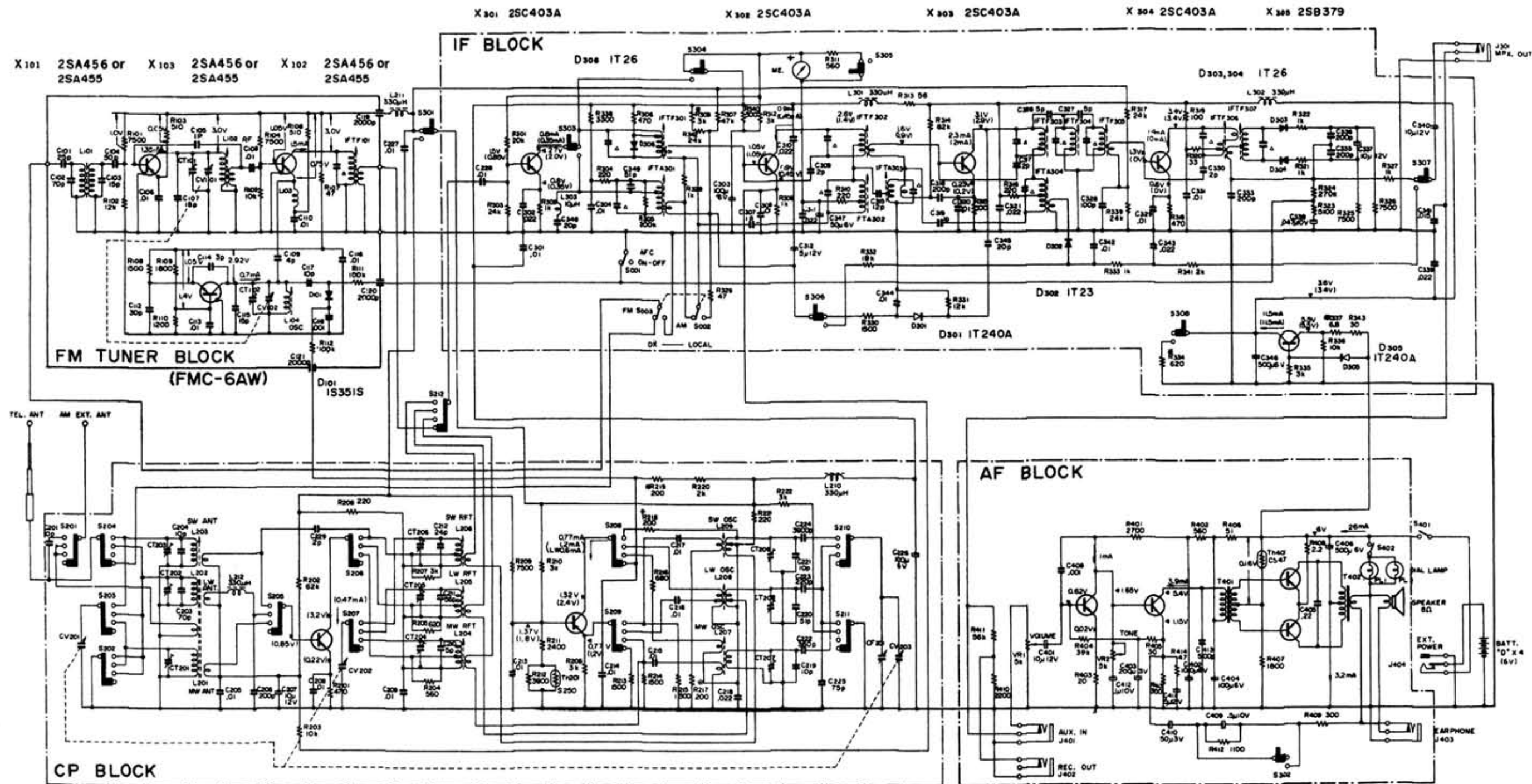


# SONY TFM-1500L



J.

X 201 25C403A

X 202 25C633

X 401 25C633

X 402 25C633

X 403, 404 25B383

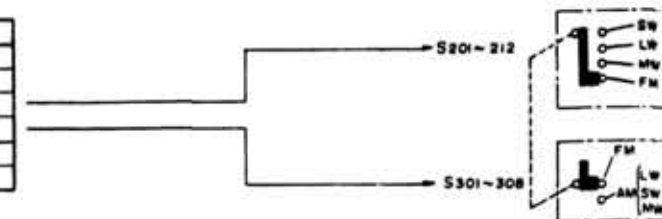
## Notes:

1. All resistors and capacitors are rated in  $\Omega$  and  $\mu\text{F}$ , unless otherwise noted.
2. Capacitor marked with  $\Delta$  is built in IF Transformer.
3. Resistor marked with  $\text{K}$  are to be selected in value.
4. Voltage values shown are measured to ground circuit with a DC voltmeter (20 k $\Omega$ /volt or more) with no radio signal received.

Current values shown are measured with a DC ammeter with no radio signal received. Current and Voltage values shown in ( ) are measured with no radio signal received and with band selector set to AM. Variations may be noted due to normal production tolerances.

5. ME. shows the tuning meter.

Ref. No.	Switch	Position
S001	AFC ON/OFF	OFF
S002, 003	AM, FM DX/Local	DX
S201-212	Band Setting	FM
S301-308	AM/FM Selecting	FM
S401	Power ON/OFF	OFF
S402	Lamp ON/OFF	OFF



## Service Guide