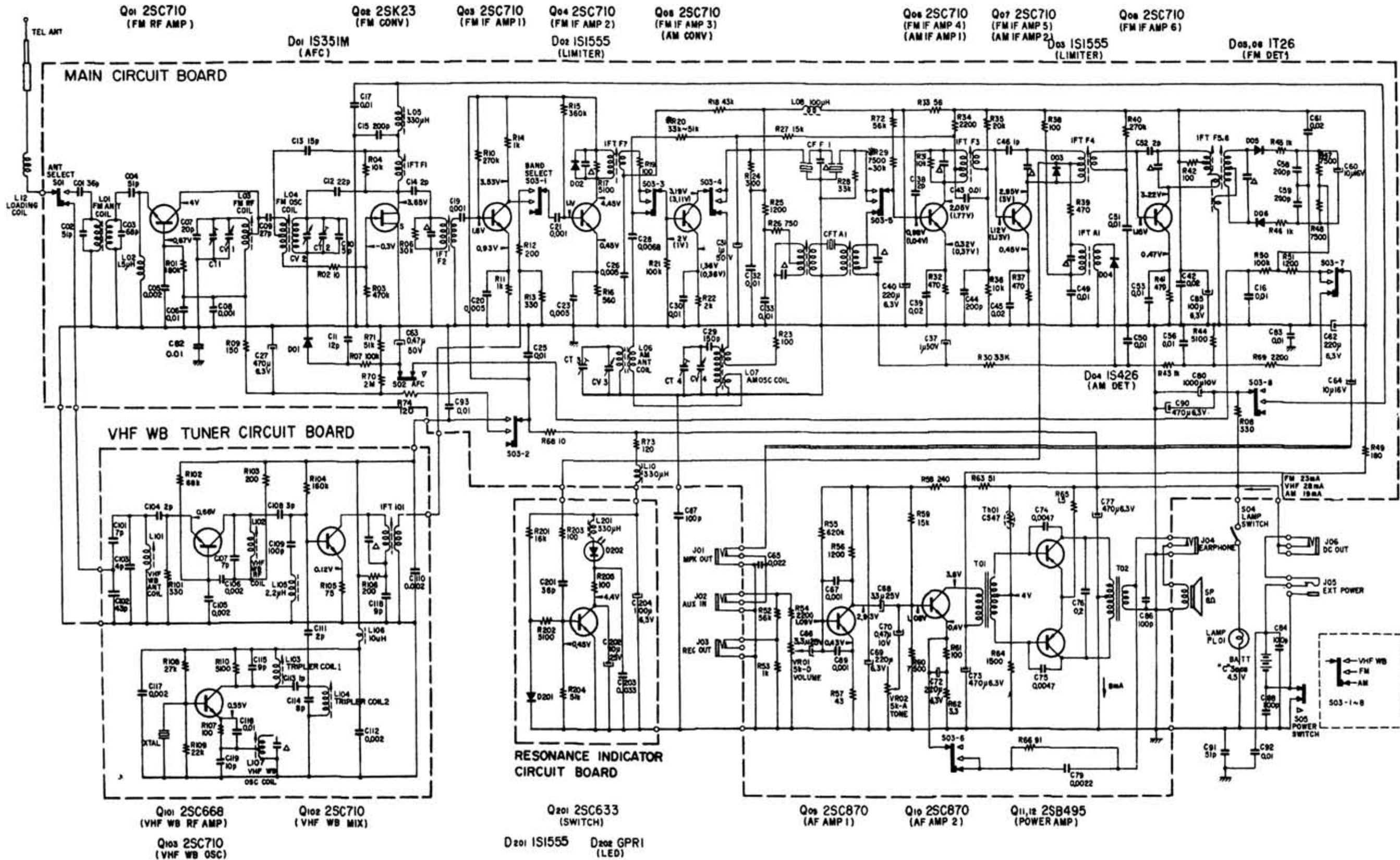


SONY TFM-8100W



Note:

1. \perp shows grounding to shield case or case of I-f transformers.
2. All resistors and capacitors are in Ω and μF , unless otherwise indicated.
3. Capacitors marked Δ are built in I-f transformers or ceramic filters.
4. The symbol \oplus indicates a component whose value is selected to yield specified operating condition.

5. Voltage values are measured to ground circuit with a dc voltmeter (20 k Ω/V) and current value is measured with a dc ammeter.
6. Voltage and current values are taken with no radio signal received and the values shown in () are taken with band selector set to AM.