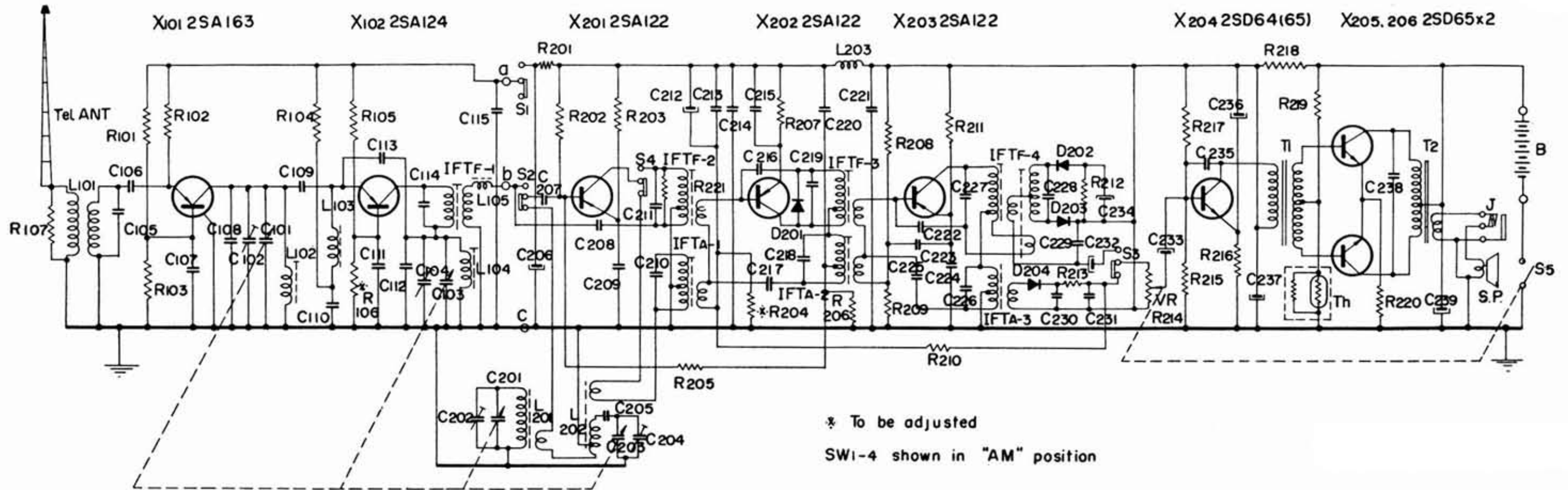


SONY TFM-825



* To be adjusted
SW1-4 shown in "AM" position

Symbol	Description	Symbol	Description	Symbol	Description	Symbol	Description
Resistor							
R ₁₀₁	7.5 KΩ 1/16W Carbon	R ₂₁₃	470Ω 1/16W Carbon	C ₁₁₃	4PF Ceramic	C ₂₂₀	0.01 μF Ceramic
R ₁₀₂	1 KΩ " "	R ₂₁₄	5 KΩ Volume Control	C ₁₁₄	50PF (built in IFT _{F-1})	C ₂₂₁	0.01 μF "
*R ₁₀₃	12 KΩ " "	R ₂₁₅	10 KΩ 1/16W Carbon	C ₁₁₅	0.01 μF Ceramic	C ₂₂₂	3PF "
R ₁₀₄	1 KΩ " "	R ₂₁₆	1.5 KΩ " "	C _{201, 203}	Tuning Capacitor, 4 gang	C ₂₂₃	0.01 μF "
R ₁₀₅	7.5 KΩ " "	R ₂₁₇	33 KΩ " "	C _{202, 204}	Trimmer Capacitor, 4 unit	C ₂₂₄	0.005 μF Mylar
*R ₁₀₆	12 KΩ " "	R ₂₁₈	220Ω " "	C ₂₀₅	130PF Styrol	C ₂₂₅	3PF Ceramic
R ₁₀₇	2.2 KΩ " "	R ₂₁₉	6.8 KΩ " "	C ₂₀₆	10 μF 10 V Electrolytic	C ₂₂₆	150PF (built in IFT _{A-3})
R ₂₀₁	100Ω " "	R ₂₂₀	10Ω " "	C ₂₀₇	0.005 μF Mylar	C ₂₂₇	33PF (built in IFT _{F-4})
R ₂₀₂	75 KΩ " "	R ₂₂₁	15 KΩ " "	C ₂₀₈	5PF Ceramic	C ₂₂₈	130PF (built in IFT _{F-4})
R ₂₀₃	12 KΩ " "	Capacitor		C ₂₀₉	0.005 μF Mylar	C ₂₂₉	0.04 μF Ceramic
*R ₂₀₄	91 KΩ " "	C _{101, 103}	Tuning Capacitor, 4 gang	C ₂₁₀	150PF (built in IFT _{A-1})	C ₂₃₀	0.02 μF "
R ₂₀₅	10 KΩ " "	C _{102, 104}	Trimmer Capacitor, 4 unit	C ₂₁₁	50PF (built in IFT _{F-2})	C ₂₃₁	0.01 μF "
R ₂₀₆	6.8 KΩ " "	C ₁₀₅	60PF Ceramic	C ₂₁₂	10 μF 6 V Electrolytic	C ₂₃₂	3 μF 3 V Electrolytic
R ₂₀₇	470Ω " "	C ₁₀₆	0.01 μF "	C ₂₁₃	0.01 μF Ceramic	C ₂₃₃	3 μF 12 V "
R ₂₀₈	3.6 KΩ " "	C ₁₀₇	0.01 μF "	C ₂₁₄	0.01 μF "	C ₂₃₄	10 μF 3 V "
R ₂₀₉	12 KΩ " "	C ₁₀₈	22PF "	C ₂₁₅	0.005 μF Mylar	C ₂₃₅	100PF Styrol
R ₂₁₀	5.6 KΩ " "	C ₁₀₉	4PF "	C ₂₁₆		C ₂₃₆	30 μF 10 V Electrolytic
R ₂₁₁	1.8 KΩ " "	C ₁₁₀	500PF Styrol	C ₂₁₇	1PF Ceramic	C ₂₃₇	30 μF 10 V "
R ₂₁₂	10 KΩ " "	C ₁₁₁	0.01 μF Ceramic	C ₂₁₈	150PF (built in IFT _{A-2})	C ₂₃₈	0.02 μF Ceramic
		C ₁₁₂	22PF "	C ₂₁₉	50PF (built in IFT _{F-3})	C ₂₃₉	30 μF 10 V Electrolytic

* To be adjusted

C₂₁₆: Used in some sets for adjustment purpose.