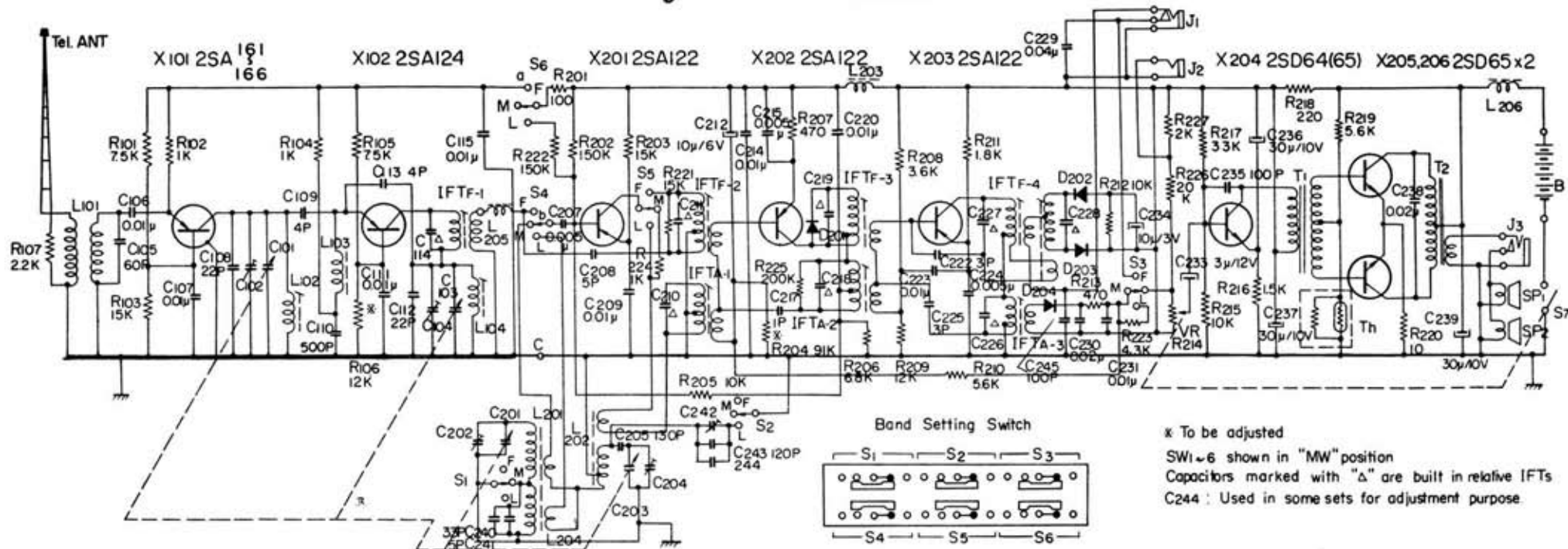
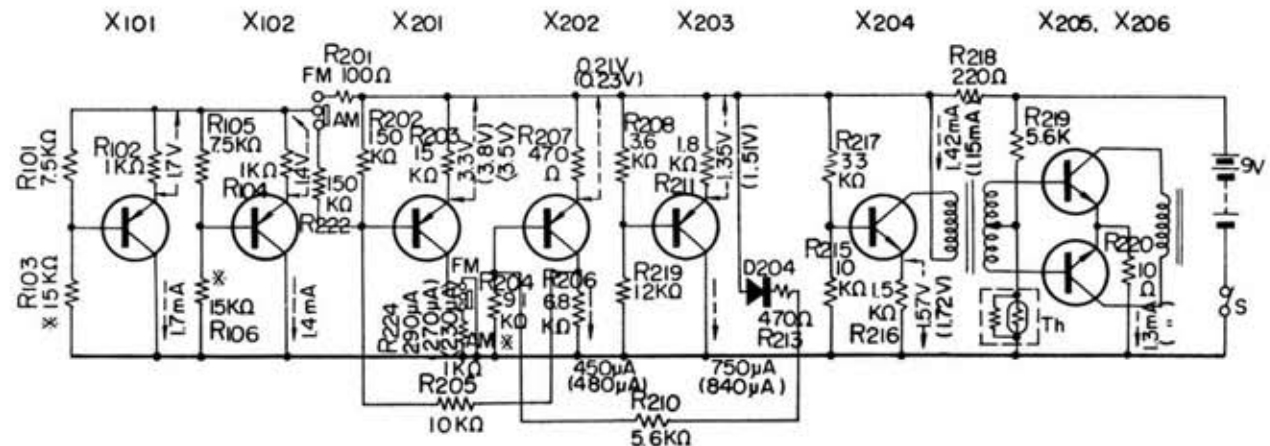


Sony TFM-834L



Voltage and Current Distribution Chart at Zero Signal



- Note 1. Adjustment Resistor : marked with x.
 2. Voltage or Current Value
 FM : black figure
 AM : red figure
 MW : ()
 LW : ()