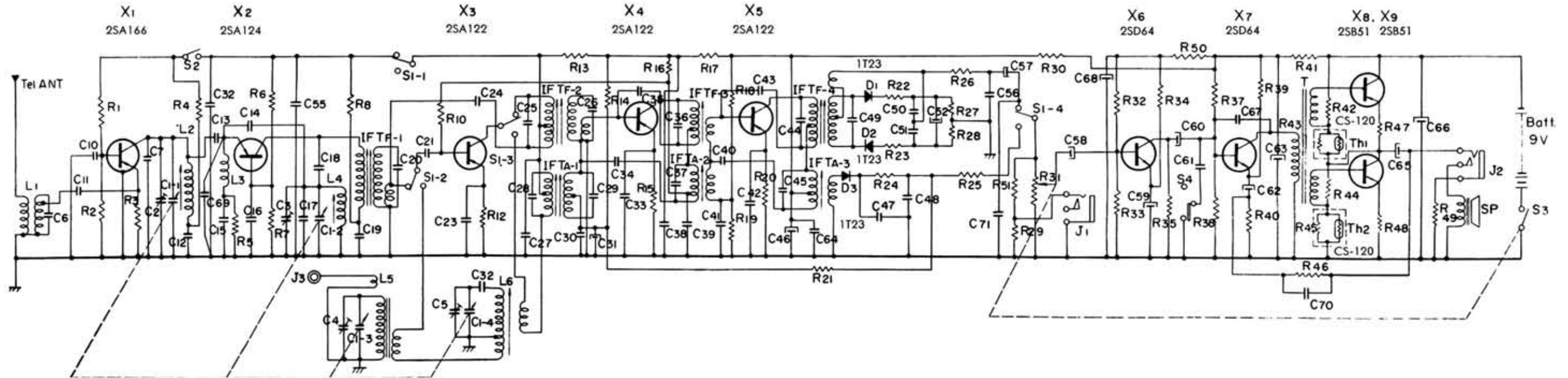


# SONY TFM-914



Symbol	Description	Symbol	Description	Symbol	Description	Symbol	Description
<b>Resistor</b>							
R <sub>1</sub>	10KΩ 1/16W Carbon	R <sub>31</sub>	5KΩ (Volume Control)	C <sub>10</sub>	0.01μF Ceramic	C <sub>41</sub>	0.01μF "
R <sub>2</sub>	3.3KΩ " "	R <sub>32</sub>	4.2KΩ 1/16W Carbon	C <sub>11</sub>	0.01μF "	C <sub>42</sub>	0.01μF "
R <sub>3</sub>	1KΩ " "	R <sub>33</sub>	22KΩ " "	C <sub>12</sub>	0.02μF "	C <sub>43</sub>	1PF "
R <sub>4</sub>	560Ω " "	R <sub>34</sub>	1KΩ " "	C <sub>13</sub>	3PF "	C <sub>44</sub>	30PF "
R <sub>5</sub>	1KΩ " "	R <sub>35</sub>	2KΩ " "	C <sub>14</sub>	5PF "	C <sub>45</sub>	150PF (built in IFTA <sub>3</sub> )
R <sub>6</sub>	12KΩ " "	R <sub>36</sub>	—deleted—	C <sub>15</sub>	500PF Styrol	C <sub>46</sub>	10μF 10V Electrolytic
R <sub>7</sub>	2.7KΩ " "	R <sub>37</sub>	4.2KΩ 1/16W Carbon	C <sub>16</sub>	0.01μF Ceramic	C <sub>47</sub>	0.02μF Ceramic
R <sub>8</sub>	2KΩ " "	R <sub>38</sub>	12KΩ " "	C <sub>17</sub>	18PF "	C <sub>48</sub>	0.02μF "
R <sub>9</sub>	—deleted—	R <sub>39</sub>	1KΩ " "	C <sub>18</sub>	50PF "	C <sub>49</sub>	130PF Styrol
R <sub>10</sub>	5.6KΩ 1/16W Carbon	R <sub>40</sub>	10Ω 1/16W Carbon	C <sub>19</sub>	0.01μF "	C <sub>50</sub>	200PF Ceramic
R <sub>11</sub>	—deleted—	R <sub>41</sub>	100Ω " "	C <sub>20</sub>	25PF "	C <sub>51</sub>	200PF "
R <sub>12</sub>	10KΩ 1/16W Carbon	R <sub>42</sub>	3KΩ " "	C <sub>21</sub>	0.01μF "	C <sub>52</sub>	10μF 3V Electrolytic
R <sub>13</sub>	22Ω " "	R <sub>43</sub>	220Ω (built in Th <sub>1</sub> )	C <sub>22</sub>	0.01μF "	C <sub>53</sub>	—deleted—
*R <sub>14</sub>	120KΩ " "	R <sub>44</sub>	3KΩ 1/16W Carbon	C <sub>23</sub>	0.02μF "	C <sub>54</sub>	"
R <sub>15</sub>	560Ω " "	R <sub>45</sub>	220Ω (built in Th <sub>2</sub> )	C <sub>24</sub>	7PF "	C <sub>55</sub>	0.01μF Ceramic
R <sub>16</sub>	9.1KΩ " "	R <sub>46</sub>	2KΩ 1/16W Carbon	C <sub>25</sub>	50PF "	C <sub>56</sub>	0.02μF "
R <sub>17</sub>	22Ω " "	R <sub>47</sub>	3Ω " "	C <sub>26</sub>	25PF "	C <sub>57</sub>	10μF 3V Electrolytic
R <sub>18</sub>	36KΩ " "	R <sub>48</sub>	3Ω " "	C <sub>27</sub>	0.01μF "	C <sub>58</sub>	10μF 10V "
R <sub>19</sub>	4.7KΩ " "	R <sub>49</sub>	27Ω " "	C <sub>28</sub>	150PF (built in IFTA <sub>1</sub> )	C <sub>59</sub>	30μF 10V "
R <sub>20</sub>	560Ω " "	R <sub>50</sub>	100Ω " "	C <sub>29</sub>	150PF ( " )	C <sub>60</sub>	5μF 12V "
R <sub>21</sub>	6.8KΩ " "	R <sub>51</sub>	22KΩ " "	C <sub>30</sub>	0.01μF Ceramic	C <sub>61</sub>	0.3μF " (Alox)
R <sub>22</sub>	330Ω " "	<b>Capacitor</b>		C <sub>31</sub>	10μF 6V Electrolytic	C <sub>62</sub>	100μF 10V "
R <sub>23</sub>	330Ω " "	C <sub>1-4</sub>	Tuning Capacitor, 4 gang	C <sub>32</sub>	130PF Styrol	C <sub>63</sub>	100μF 10V "
R <sub>24</sub>	2.2KΩ " "	C <sub>2</sub>	Trimmer Capacitor (built in C <sub>1</sub> )	C <sub>33</sub>	0.01μF Ceramic	C <sub>64</sub>	0.01μF Ceramic
R <sub>25</sub>	2KΩ " "	C <sub>3</sub>	" ( " )	C <sub>34</sub>	1PF "	C <sub>65</sub>	100μF 10V Electrolytic
R <sub>26</sub>	1KΩ " "	C <sub>4</sub>	" ( " )	C <sub>35</sub>	2PF "	C <sub>66</sub>	100μF 10V "
R <sub>27</sub>	5.6KΩ " "	C <sub>5</sub>	" ( " )	C <sub>36</sub>	47PF "	C <sub>67</sub>	—deleted—
R <sub>28</sub>	5.6KΩ " "	C <sub>6</sub>	40PF Ceramic	C <sub>37</sub>	150PF (built in IFTA <sub>2</sub> )	C <sub>68</sub>	100μF 10V Electrolytic
R <sub>29</sub>	2KΩ " "	C <sub>7</sub>	18PF "	C <sub>38</sub>	0.01μF Ceramic	C <sub>69</sub>	2PF Ceramic
R <sub>30</sub>	22Ω " "	C <sub>8</sub>	—deleted—	C <sub>39</sub>	0.01μF "	C <sub>70</sub>	0.002μF "
		C <sub>9</sub>	"	C <sub>40</sub>	1PF "	C <sub>71</sub>	100PF "

\* To be adjusted