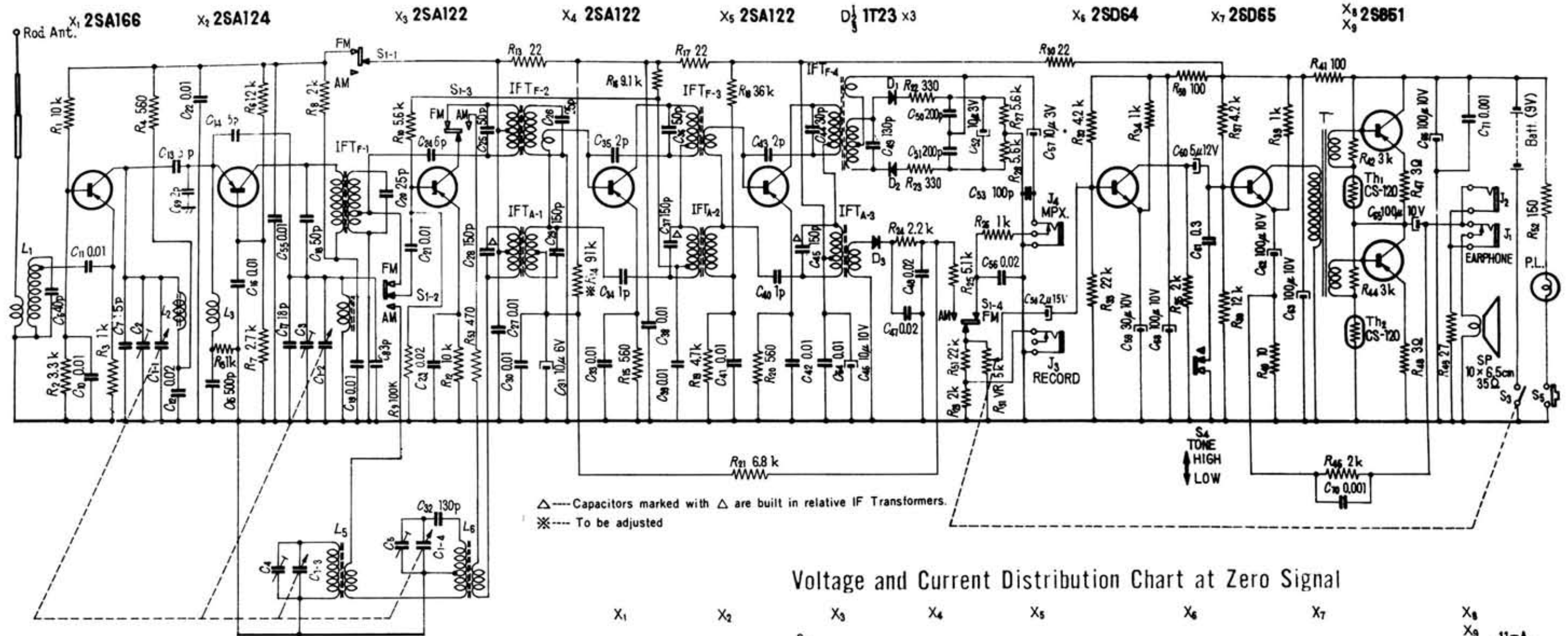
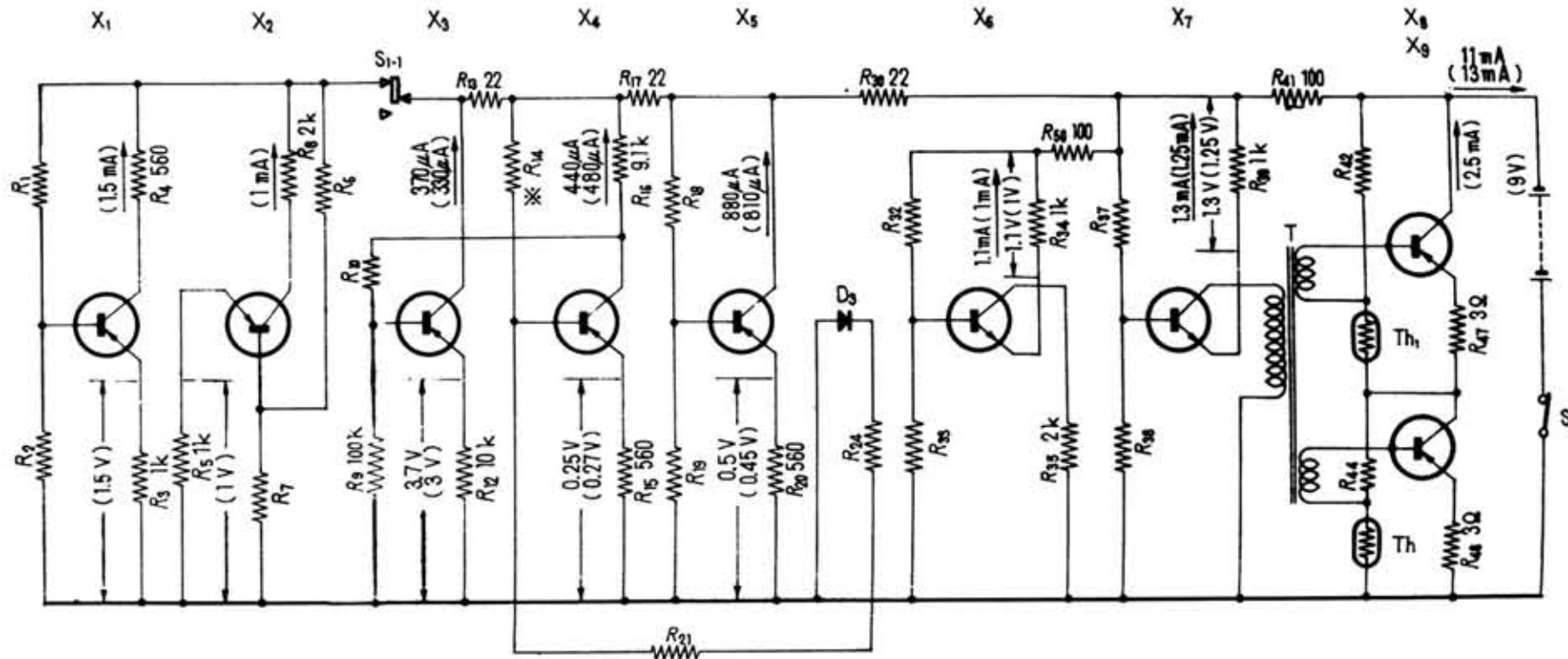


# SONY TFM-916

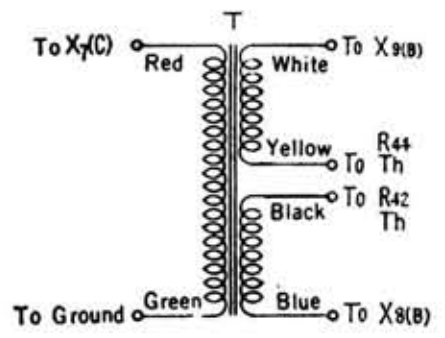


Voltage and Current Distribution Chart at Zero Signal



Driver Transformer

	Primary	Secondary
Impedance	5.6 kΩ	470Ω × 2
DC Resistance	375 Ω	48Ω × 2



Values in the parenthesis are for FM.

## Service Guide