

SONY MODEL TFM-95B

X1
FM RF Amp
2SA124

X2
FM CONV
2SA124

X3
FM 1st IF Amp
& AM CONV
2SA122

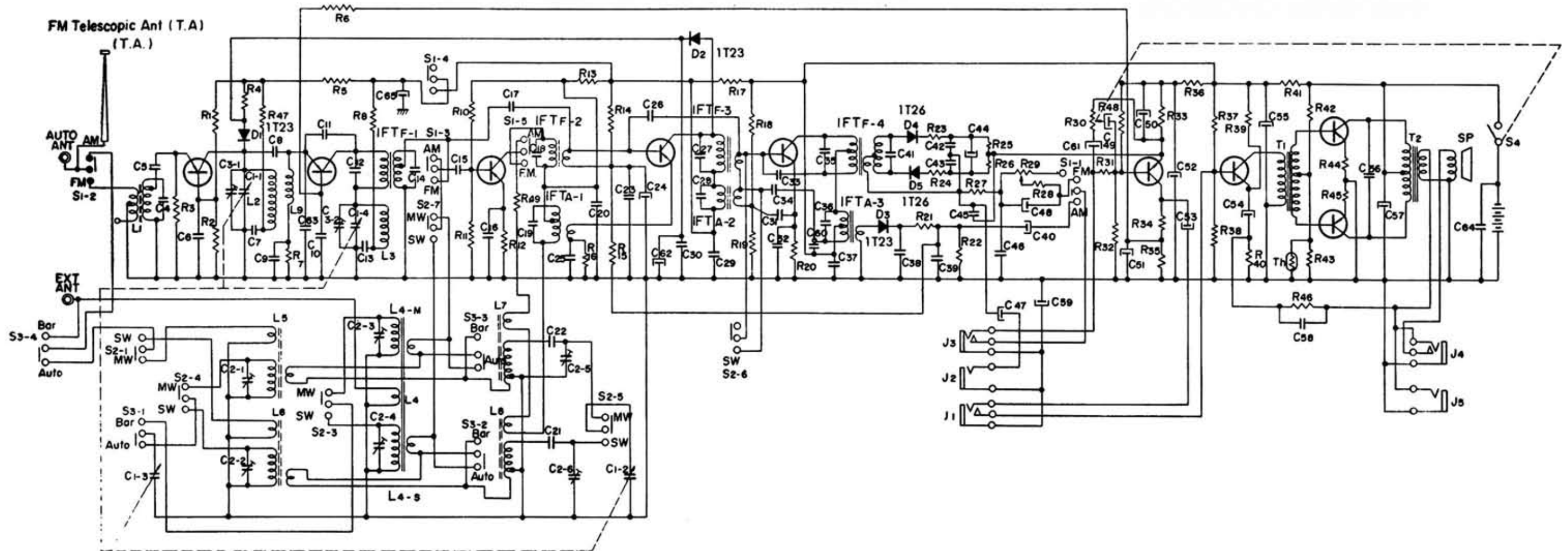
X4
FM 2nd IF Amp
& AM 1st IF Amp
2SA122

X5
FM 3rd IF Amp
& AM 2nd IF Amp
2SA122

X6
1st AF Amp
2SD64

X7
2nd AF Amp
2SD65

X8, X9
Power Amp
2SB51 2SB51



Symbol	Description	Symbol	Description	Symbol	Description	Symbol	Description
R1	Carbon Resistor 7.5 KΩ RD ¼ l ± 5%	R30	Volume Control 5 KΩ	C10	0.005 μf ± 10% Ceramic	C40	5 μf 6 V Electrolytic
R2	2.2 KΩ	R31	Carbon Resistor 22 KΩ RD ¼ l ± 5%	C11	5 pf ± 0.5 pf "	C41	80 pf ± 10% Ceramic
R3	1 KΩ	R32*	36 KΩ RD ¼ l ± 10%	C12	70 pf ± 10% "	C42	200 pf ± 5% "
R4	1.5 KΩ	R33	680 Ω RD ¼ l ± 5%	C13	0.005 μf ± 10% "	C43	200 pf "
R5	27 Ω	R34	1.8 KΩ	C14	60 pf ± 10% "	C44	30 μf 6 V Electrolytic
R6	470 Ω	R35	1.5 KΩ	C15	0.005 μf ± 10% "	C45	200 pf ± 5% Ceramic
R7	470 Ω	R36	470 Ω	C16	0.002 μf ± 20% Mylar	C46	0.02 μf ± 10% "
R8	330 Ω	R37	3.3 KΩ	C17	4 pf ± 0.5 pf Ceramic	C47	1 μf 6 V Electrolytic
R9	— deleted —	R38	Carbon Resistor 7.5 KΩ RD ¼ l ± 5%	C18	100 pf ± 10% "	C48	3 μf 3 V "
R10	Carbon Resistor 36 KΩ RD ¼ l ± 5%	R39	220 Ω	C19	180 pf built in IFT	C49	100 μf 6 V "
R11	10 KΩ	R40	5.1 Ω	C20	0.01 μf ± 10% "	C50	100 μf 6 V "
R12	2.2 KΩ	R41	75 Ω	C21	2000 pf ± 5% Styrol	C51	100 μf 6 V "
R13	220 Ω	R42	1.5 KΩ	C22	330 pf "	C52	200 μf 6 V "
R14*	82 KΩ RD ¼ l ± 50%	R43	82 Ω	C23	0.01 μf ± 10% Ceramic	C53	5 μf 6 V "
R15	5.6 KΩ RD ¼ l ± 5%	R44	3 Ω	C24	10 μf 6 V Electrolytic	C54	100 μf 6 V "
R16	470 Ω	R45	3 Ω	C25	0.01 μf ± 10% Ceramic	C55	200 μf 6 V "
R17	27 Ω	R46	220 Ω	C26	1 pf ± 0.5 pf "	C56	0.1 μf ± 20% Mylar
R18	18 KΩ	R47	330 Ω	C27	15 pf ± 10% "	C57	100 μf 6 V Electrolytic
R19	3.3 KΩ	R48	5.1 KΩ	C28	180 pf built in IFT	C58	0.01 μf ± 10% Ceramic
R20	470 Ω	R49	560 Ω	C29	0.01 μf ± 10% Ceramic	C59	100 μf 6 V Electrolytic
R21	2.2 KΩ	C1-1-4	Tuning Capacitor 4 Gang	C30	0.01 μf "	C60	300 pf ± 5% Styrol
R22	5.6 KΩ	C2-1-4	Trimmer Capacitor 6 Unit	C31	0.01 μf "	C61	5 μf 6 V Electrolytic
R23	330 Ω	C3-1-2	Cylindrical Trimmer Capacitor	C32	0.01 μf "	C62	30 μf 6 V "
R24	330 Ω	C4	Capacitor 30 pf ± 10% Ceramic	C33	1 pf ± 0.5 pf "	C63	3 pf ± 0.5 pf Ceramic
R25	1 KΩ	C5	0.005 μf ± 10% "	C34	2 pf "	C64	30 μf 6 V Electrolytic
R26	1 KΩ	C6	0.005 μf "	C35	80 pf ± 10% "	C65	0.005 μf ± 10% Ceramic
R27	1 KΩ	C7	0.005 μf "	C36	180 pf built in IFT		
R28	1.5 KΩ	C8	3 pf ± 0.5 pf "	C37	0.01 μf ± 10% "		
R29	Potentiometer (for AFC) 500 KΩ	C9	500 pf (built in FM-IF Trap Coil L4) Styrol	C38	0.01 μf "		
				C39	0.02 μf "		