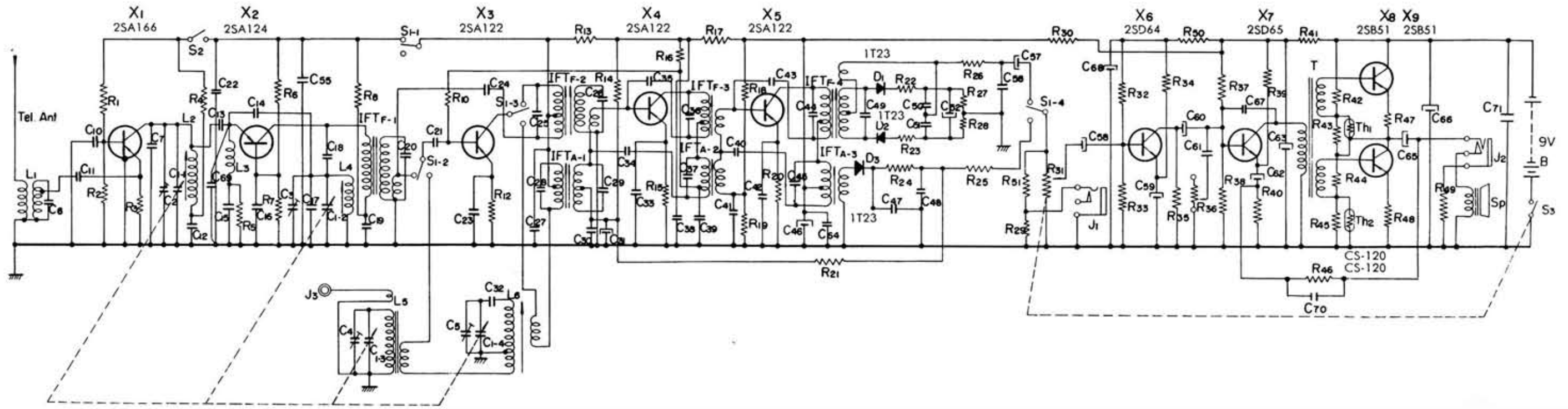


SONY TFM-96



Symbol	Description	Symbol	Description	Symbol	Description	Symbol	Description
R ₁	Resistor Carbon 10K Ω ±5% 1/16W	R ₃₁	Volume Control, 5K Ω	C ₁₃	3pF ±0.5pF Ceramic	C ₄₄	30pF // //
R ₂	" 3.3K Ω // "	R ₃₂	Carbon 4.2K Ω ±5% 1/16W	C ₁₄	5pF // "	C ₄₅	150pF, Built in IFTA ₃
R ₃	" 1K Ω // "	R ₃₃	" 22K Ω // "	C ₁₅	500pF ±5% Styrol	C ₄₆	10μF 10V Electrolytic
R ₄	" 560 Ω // "	R ₃₄	" 1K Ω // "	C ₁₆	0.01μF ±8% Ceramic	C ₄₇	0.02μF ±8% Ceramic
R ₅	" 1K Ω // "	R ₃₅	" 2K Ω // "	C ₁₇	18pF ±5% "	C ₄₈	0.02μF // "
R ₆	" 12K Ω // "	R ₃₆	Tone Control, 5K Ω	C ₁₈	50pF // "	C ₄₉	130pF ±5% Styrol
R ₇	" 2.7K Ω // "	R ₃₇	Carbon 4.2K Ω ±5% 1/16W	C ₁₉	0.01μF ±8% "	C ₅₀	200pF ±5% Ceramic
R ₈	" 2K Ω // "	R ₃₈	Carbon 12K Ω ±5% 1/16W	C ₂₀	25pF ±5% "	C ₅₁	200pF // "
R ₉	—deleted—	R ₃₉	" 1K Ω // "	C ₂₁	0.01μF ±8% "	C ₅₂	10μF 3V Electrolytic
R ₁₀	Carbon 5.6K Ω ±5% 1/16W	R ₄₀	" 10 Ω // "	C ₂₂	0.01μF // "	C ₅₃	—deleted—
R ₁₁	—deleted—	R ₄₁	" 100 Ω // "	C ₂₃	0.02μF // "	C ₅₄	—deleted—
R ₁₂	Carbon 10K Ω ±5% 1/16W	R ₄₂	" 3.3K Ω // "	C ₂₄	6pF ±0.5pF // "	C ₅₅	0.01μF ±8% Ceramic
R ₁₃	" 22 Ω // "	R ₄₃	220 Ω, Built in Th ₁	C ₂₅	50pF ±5% "	C ₅₆	0.02μF // "
R ₁₄	" 91K Ω // "	R ₄₄	Carbon 3.3K Ω ±5% 1/16W	C ₂₆	25pF ±5% "	C ₅₇	10μF 3V Electrolytic
R ₁₅	" 560 Ω // "	R ₄₅	220 Ω, Built in Th ₂	C ₂₇	0.01μF ±8% "	C ₅₈	10μF 10V // "
R ₁₆	" 9.1K Ω // "	R ₄₆	Carbon 1K Ω ±5% 1/16W	C ₂₈	150pF, Built in IFTA ₁₋₁	C ₅₉	30μF 10V // "
R ₁₇	" 22 Ω // "	R ₄₇	" 3 Ω // "	C ₂₉	150pF, Built in IFTA ₁₋₂	C ₆₀	5μF 12V // "
R ₁₈	" 36K Ω // "	R ₄₈	" 3 Ω // "	C ₃₀	0.01μF ±8% Ceramic	C ₆₁	0.3μF ±10% // (Alox)
R ₁₉	" 4.7K Ω // "	R ₄₉	" 27 Ω // "	C ₃₁	10μF 6V Electrolytic	C ₆₂	100μF 10V // "
R ₂₀	" 560 Ω // "	R ₅₀	" 100 Ω // "	C ₃₂	130pF ±5% Styrol	C ₆₃	100μF 10V // "
R ₂₁	" 6.8K Ω // "	R ₅₁	" 22K Ω // "	C ₃₃	0.01μF ±8% Ceramic	C ₆₄	0.01μF ±8% Ceramic
R ₂₂	" 330 Ω // "	C ₁₋₁₋₄	Capacitor PVC Tuning Capacitor, 4 gang	C ₃₄	1pF ±0.5pF // "	C ₆₅	100μF 10V Electrolytic
R ₂₃	" 330 Ω // "	C ₂₋₅	Trimmer Capacitor, 4 unit	C ₃₅	2pF // // "	C ₆₆	100μF 10V // "
R ₂₄	" 2.2K Ω // "	C ₆	40pF ±5% Ceramic	C ₃₆	50pF ±5% "	C ₆₇	500pF ±5% Styrol
R ₂₅	" 5.1K Ω // "	C ₇	15pF // // "	C ₃₇	150pF, Built in IFTA ₂₋₁	C ₆₈	100μF 10V Electrolytic
R ₂₆	" 1K Ω // "	C ₈	—deleted—	C ₃₈	0.01μF ±8% Ceramic	C ₆₉	2pF ±0.5pF Ceramic
R ₂₇	" 5.6K Ω // "	C ₉	—deleted—	C ₃₉	0.01μF // // "	C ₇₀	0.002μF ±8% "
R ₂₈	" 5.6K Ω // "	C ₁₀	0.01μF ±8% Ceramic	C ₄₀	1pF ±0.5pF // "	C ₇₁	0.01μF // "
R ₂₉	" 2K Ω // "	C ₁₁	0.01μF // // "	C ₄₁	0.01μF ±8% "		
R ₃₀	" 22 Ω // "	C ₁₂	0.02μF // // "	C ₄₂	0.01μF // // "		

* To be adjusted