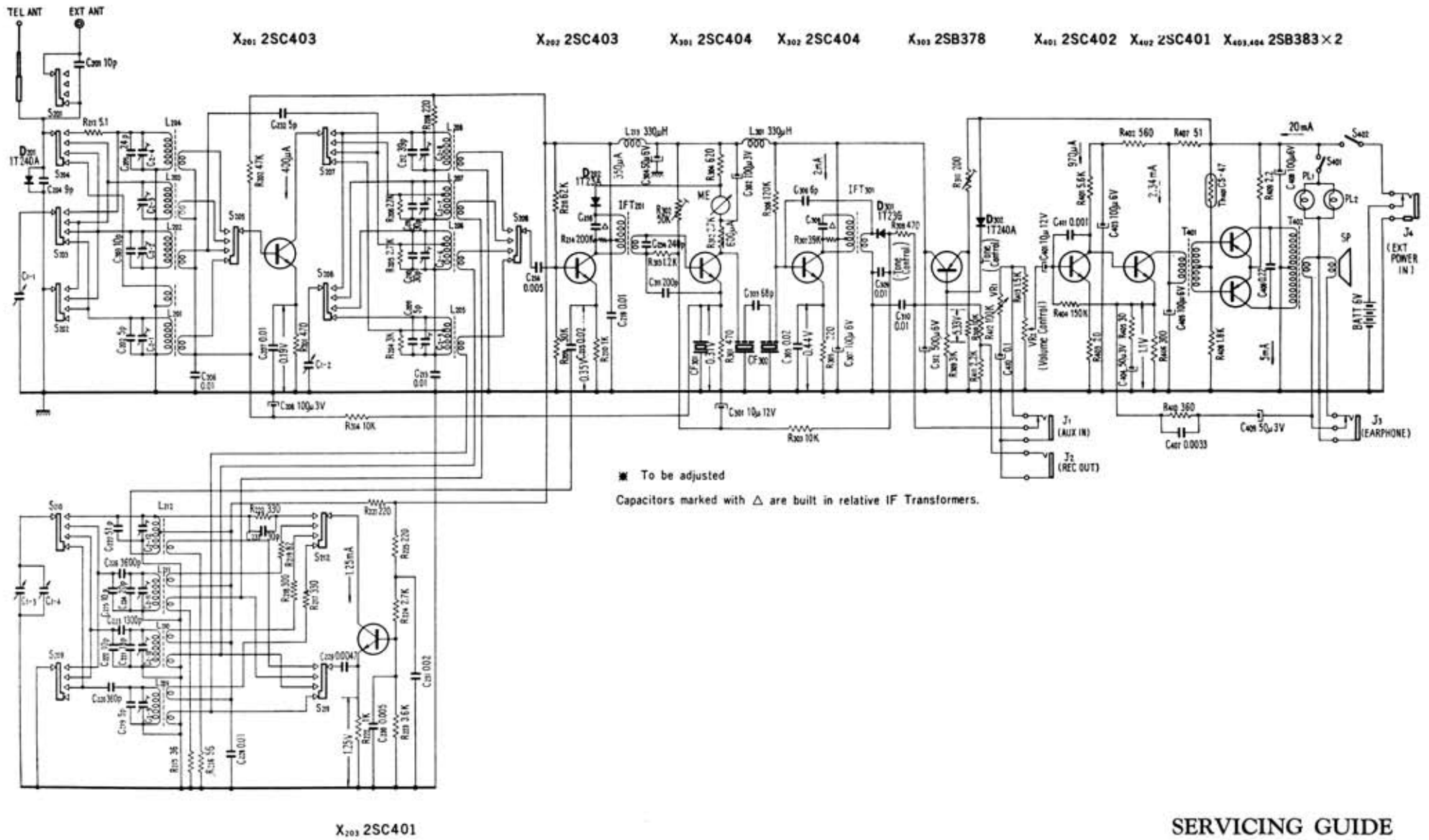


SONY TR-1000



■ To be adjusted
 △ Capacitors marked with △ are built in relative IF Transformers.