

Q201 2SK23
(RF AMP)
Q202 2SC870
(AGC)

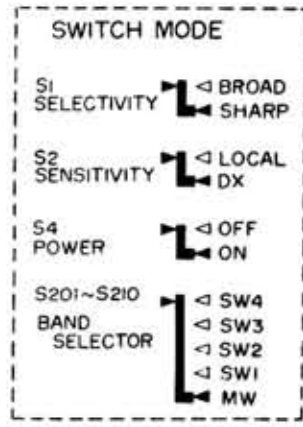
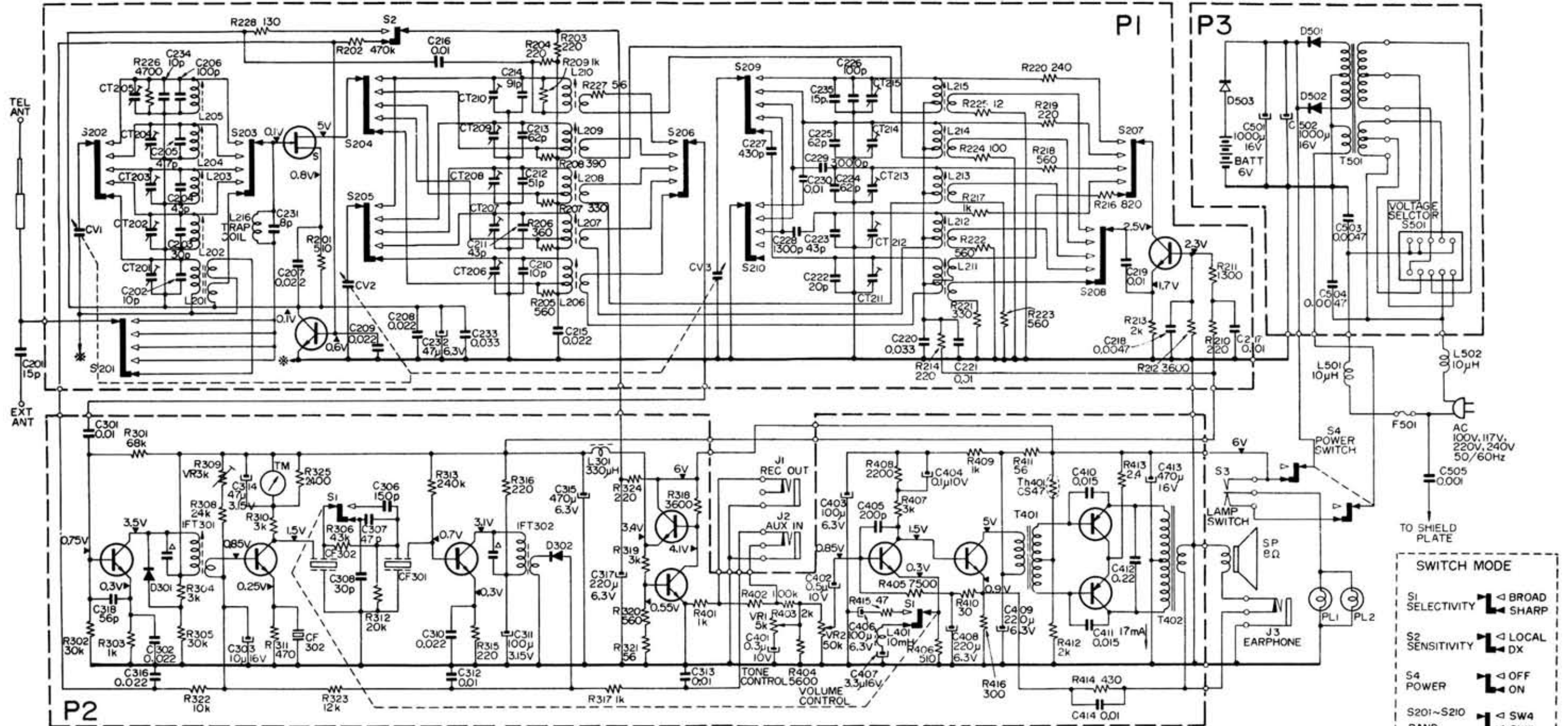
SONY TR-1300

Q203 2SC710.
(OSC)

D503 1T495 (SWITCH)
D501,502 CD2 (RECTIFIER)

CP CIRCUIT BOARD

POWER CIRCUIT BOARD



Q301 2SC710 (MIX) Q302 2SC710 (IF AMP 1) Q303 2SC710 (IF AMP 2) Q304,305 2SC870 (REGULATOR) Q401 2SC633 (AF AMP 1) Q402 2SC633 (AF AMP 2) Q403,404 2SB495 (POWER AMP)

D301 1T23 (AGC) D302 1T23 (DET)

Note: 1. All resistors and capacitors are in ohm and μ F, unless otherwise indicated.
2. Capacitor marked with Δ is built in i-f transformer.
3. Voltage value is measured to ground circuit with a dc voltmeter (20 k Ω /V) and current value is measured with a dc ammeter.
Voltage and current values are taken with no radio signal received. Variations may be noted due to normal production tolerances.

MW	L201	ANT COIL	L206	RFT	L211	OSC COIL
SW1	L202	ANT COIL	L207	RFT	L212	OSC COIL
SW2	L203	ANT COIL	L208	RFT	L213	OSC COIL
SW3	L204	ANT COIL	L209	RFT	L214	OSC COIL
SW4	L205	ANT COIL	L210	RFT	L215	OSC COIL

SERVICING GUIDE