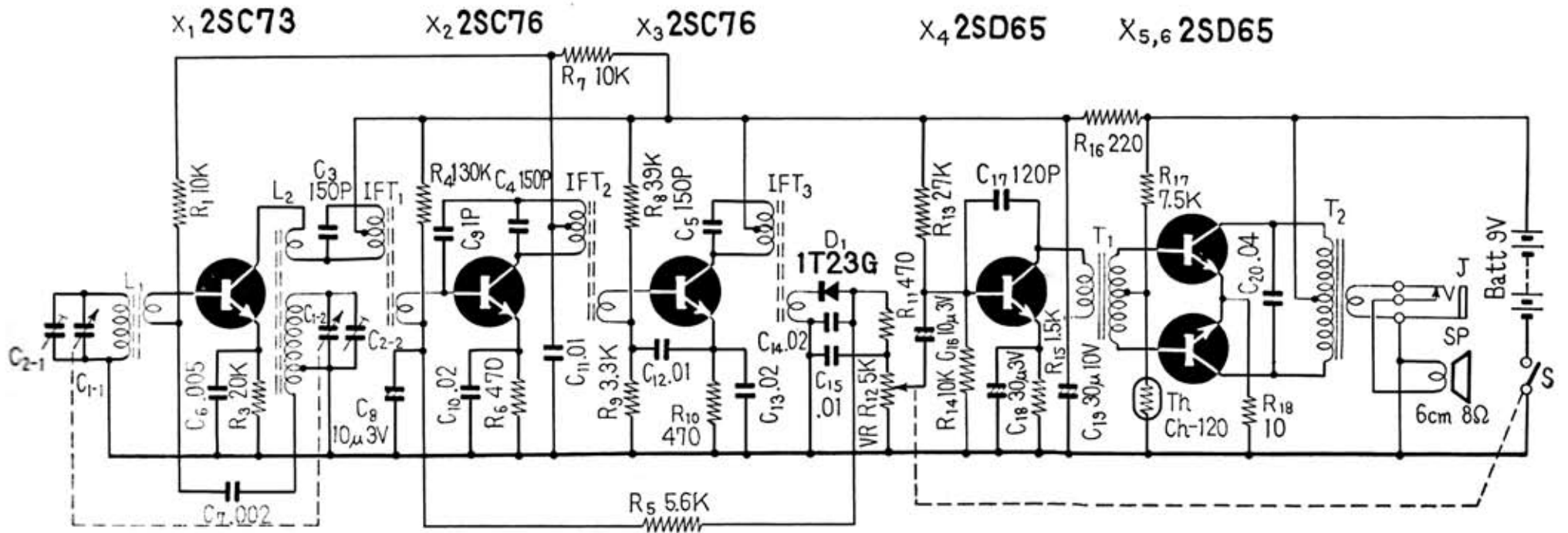
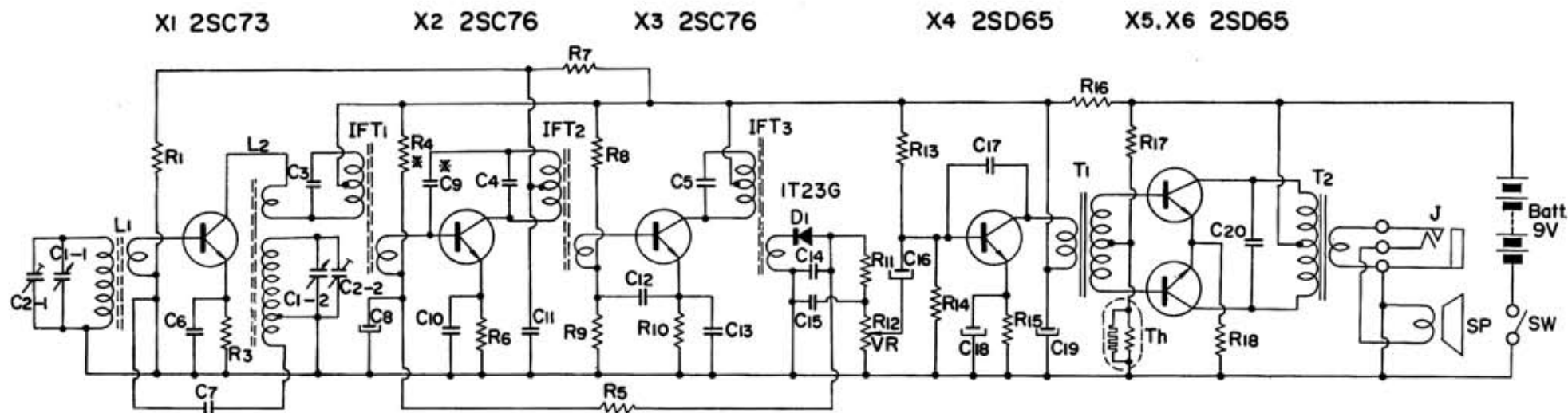


# ソニ - TR-1811形 スリム・ラジオ



# SONY TR-1811



\* To be adjusted.

Symbol	Description	Symbol	Description	Symbol	Description	Symbol	Description
L <sub>1</sub>	Ferrite Bar Antenna	X <sub>5</sub>	Transistor 2SD65	R <sub>11</sub>	470 Ω 1/10W Composition	C <sub>7</sub>	0.002 μF Ceramic
L <sub>2</sub>	Oscillator Coil	X <sub>6</sub>	" 2SD65	R <sub>12</sub>	5K Ω Volume Control	C <sub>8</sub>	10 μF 3V Electrolytic
IFT <sub>1</sub>	IF Transformer	D <sub>1</sub>	Diode 1T23G	R <sub>13</sub>	27K Ω 1/10W Composition	C <sub>9</sub>	1pF Ceramic
IFT <sub>2</sub>	"	Th	Thermistor CS-120	R <sub>14</sub>	10K Ω " "	C <sub>10</sub>	0.02 μF "
IFT <sub>3</sub>	"			R <sub>15</sub>	1.5K Ω " "	C <sub>11</sub>	0.01 μF "
T <sub>1</sub>	Driver Transformer		<b>Resistor</b>	R <sub>16</sub>	220 Ω " "	C <sub>12</sub>	0.01 μF "
T <sub>2</sub>	Output Transformer	R <sub>1</sub>	10 K Ω 1/10W Composition	R <sub>17</sub>	7.5K Ω 3/16W Carbon	C <sub>13</sub>	0.02 μF "
J	Earphone Jack	R <sub>2</sub>	—deleted—	R <sub>18</sub>	10 Ω 1/10W Composition	C <sub>14</sub>	0.02 μF "
SP	Speaker	R <sub>3</sub>	20K Ω 3/16W Carbon			C <sub>15</sub>	0.01 μF "
SW	Power Switch (built in R <sub>12</sub> )	*R <sub>4</sub>	130 K Ω " "		<b>Capacitor</b>	C <sub>16</sub>	10 μF 3V Electrolytic
Batt.	Battery (9V)	R <sub>5</sub>	5.6K Ω 1/10W Composition	C <sub>1</sub>	Tuning Capacitor, 2 gang	C <sub>17</sub>	120pF Ceramic
X <sub>1</sub>	Transistor 2SC73	R <sub>6</sub>	470 Ω " "	C <sub>2</sub>	Trimmer Capacitor, 2 unit	C <sub>18</sub>	30 μF 3V Electrolytic
X <sub>2</sub>	" 2SC76	R <sub>7</sub>	10K Ω " Carbon	C <sub>3</sub>	150pF (built in IFT <sub>1</sub> )	C <sub>19</sub>	30 μF 10V "
X <sub>3</sub>	" 2SC76	R <sub>8</sub>	39K Ω " Composition	C <sub>4</sub>	150pF (built in IFT <sub>2</sub> )	C <sub>20</sub>	0.04 μF Ceramic
X <sub>4</sub>	" 2SD65	R <sub>9</sub>	3.3K Ω " "	C <sub>5</sub>	150pF (built in IFT <sub>3</sub> )		
		R <sub>10</sub>	470 Ω " "	C <sub>6</sub>	0.005 μF Ceramic		

\* To be adjusted