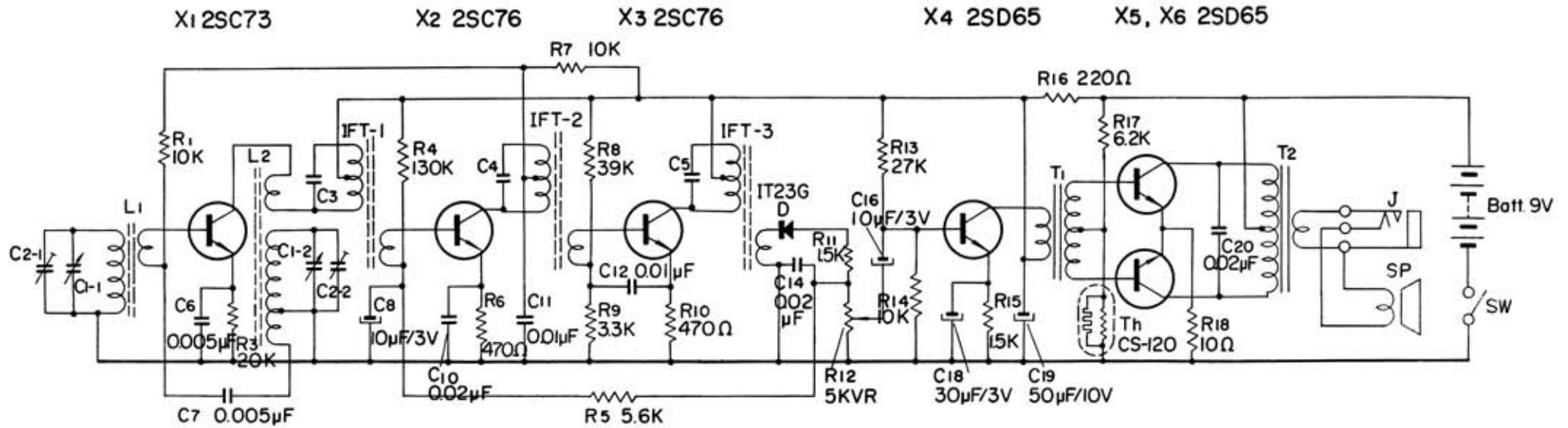


SONY TR-1814



Voltage and Current Distribution Chart at Zero Signal

X1 X2 X3 X4 X5, X6

