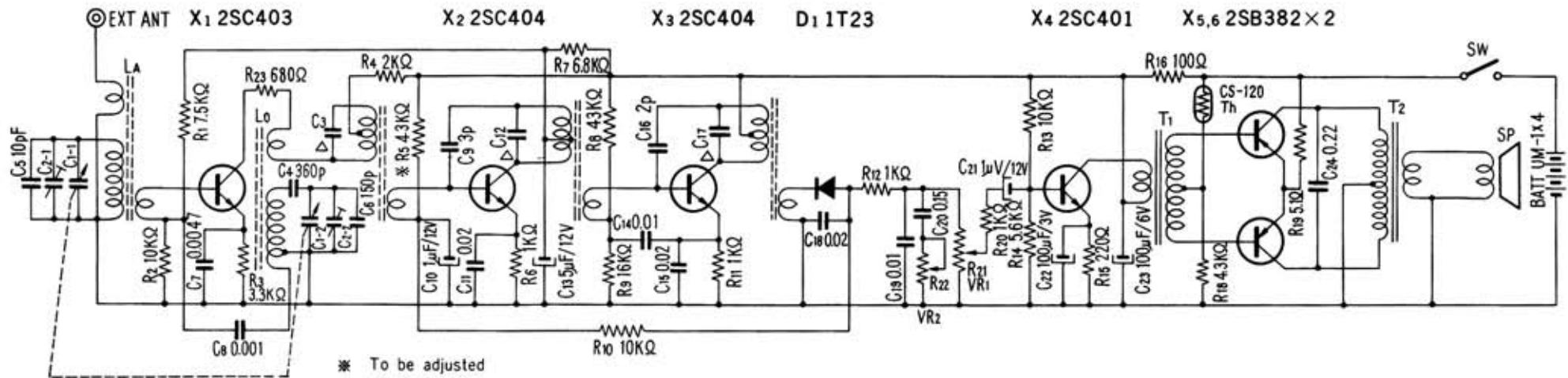


# SONY TR-1816



\* To be adjusted  
 Capacitors marked with "Δ" are built in relative IF Transformers.