

# SONY TR-1819

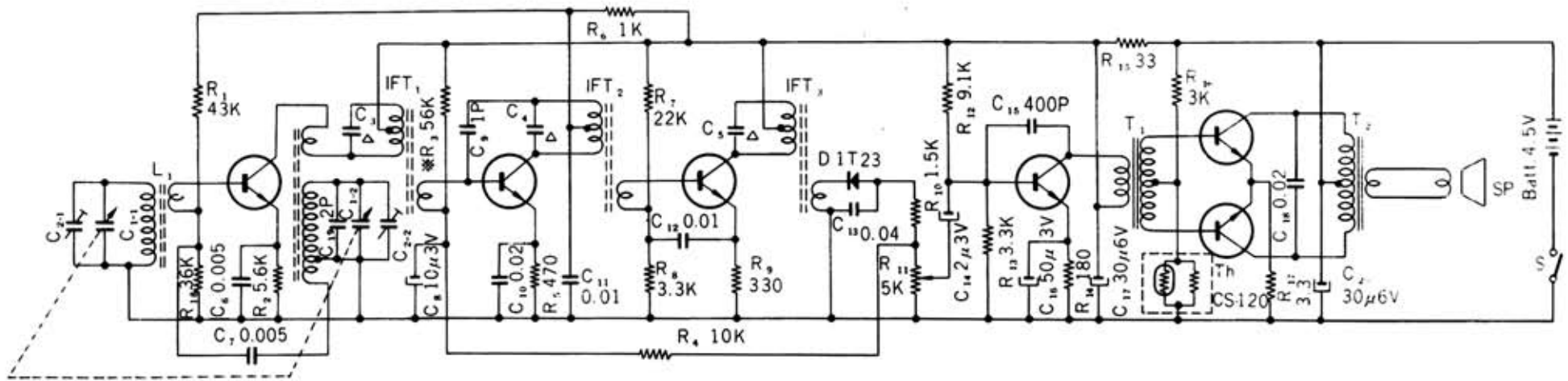
X<sub>1</sub>, 2SC73

X<sub>2</sub>, 2SC76

X<sub>3</sub>, 2SC76

X<sub>4</sub>, 2SD65

X<sub>5,6</sub>, 2SD65



\* R<sub>3</sub>: To be adjusted

Capacitors marked with "Δ" are built in relative IF Transformers.

## Voltage and Current Distribution Chart at Zero Signal

