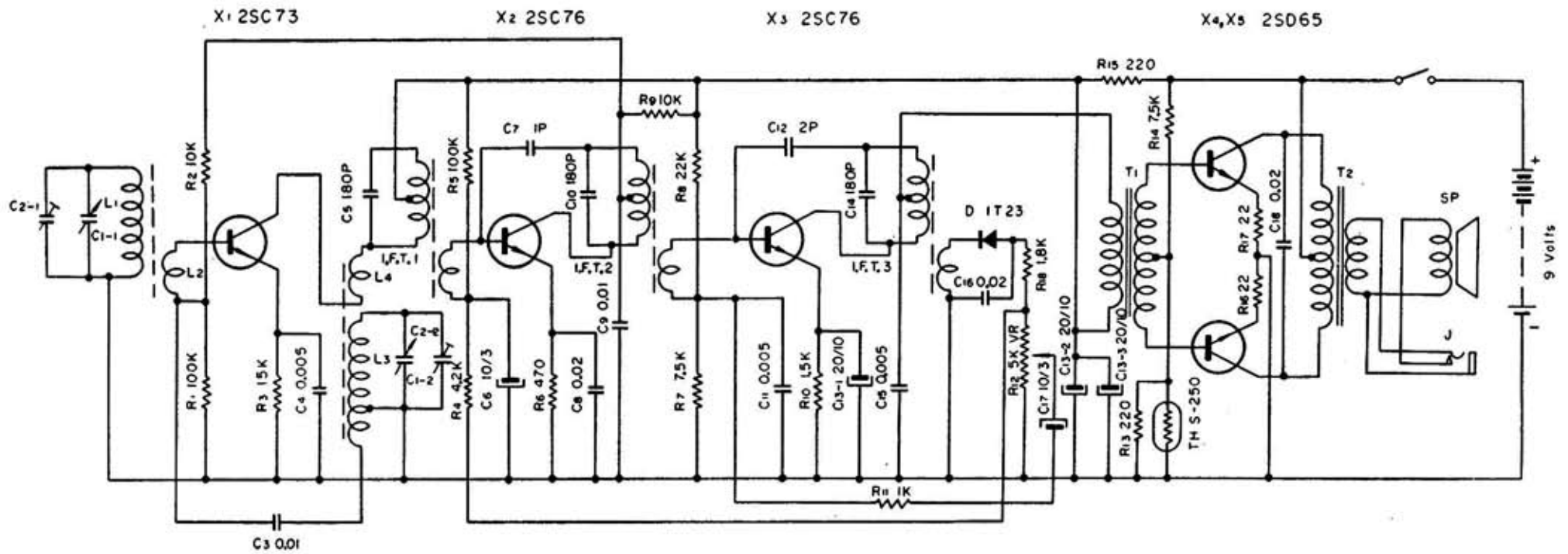


# SONY TR-510



**Service Guide**