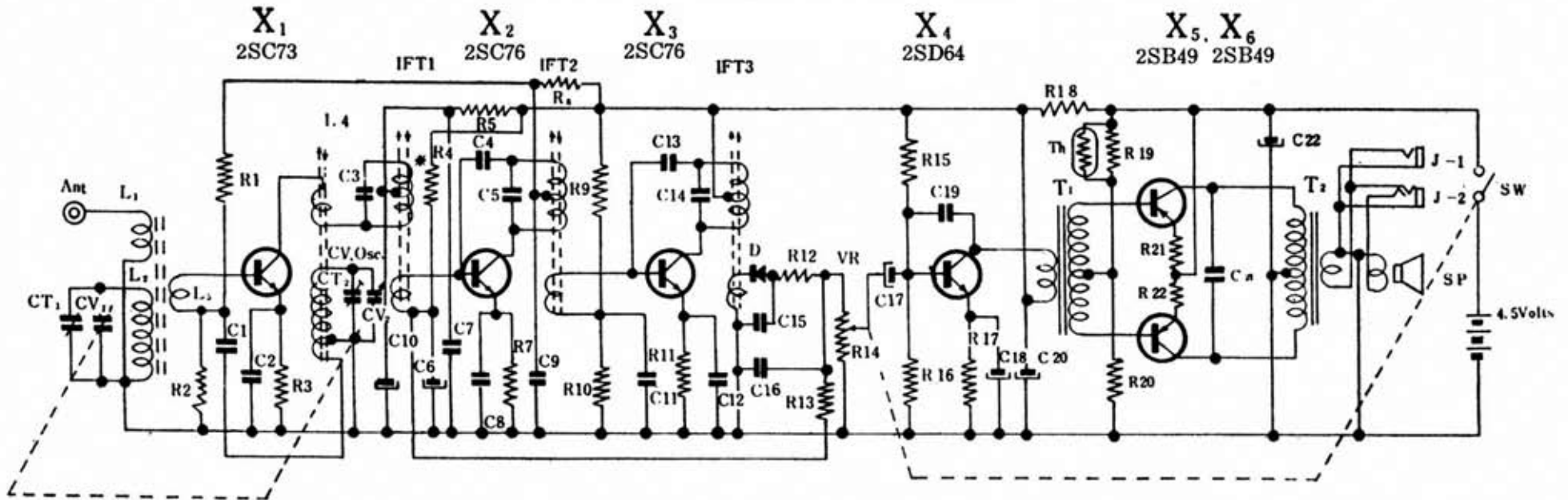


Schematic Diagram for TR-6080



Symbol	Description	Symbol	Description	Symbol	Description	Symbol	Description
R ₁	Carbon Resistor 10K Ω RD $\frac{1}{4}$ L	R ₁₂	Carbon Resistor 7.5K Ω RD $\frac{1}{4}$ L	CV _{1,2}	Tuning Capacitor	C ₁₁	Capacitor 0.05 μ F Mylar
R ₂	" 27K Ω "	R ₁₄	Volume Control 5K Ω	CT _{1,2}	Tuning Capacitor	C ₁₂	" 0.05 μ F "
R ₃	" 5.6K Ω "	R ₁₅	Carbon Resistor 10K Ω RD $\frac{1}{4}$ L	C ₁	Capacitor 0.01 μ F Mylar	C ₁₃	" 2PF Ceramic
*R ₄	" 64K Ω "	*R ₁₆	" 3.3K Ω "	C ₂	" 0.005 μ F "	C ₁₄	" Built in IFT ₁ , 180PF
R ₅	" 100 Ω "	R ₁₇	" 330 Ω "	C ₃	" Built in IFT ₂ , 180PF	C ₁₅	" 0.02 μ F Mylar
R ₆	—deleted—	R ₁₈	" 62 Ω "	C ₄	" 2PF Ceramic	C ₁₆	" 0.01 μ F "
R ₇	Carbon Resistor 560 Ω RD $\frac{1}{4}$ L	R ₁₉	" 220 Ω "	C ₅	" Built in IFT ₂ , 180PF	C ₁₇	" 10 μ F 3V Electrolytic
R ₈	" 5.6K Ω "	R ₂₀	" 3.3K Ω "	C ₆	" 10 μ F 3V Electrolytic	C ₁₈	" 100 μ F 3V "
R ₉	" 22K Ω "	R ₂₁	" 5 Ω "	C ₇	" 0.05 μ F Mylar	C ₁₉	" 0.001 μ F Mylar
R ₁₀	" 3.3K Ω "	R ₂₂	" 5 Ω "	C ₈	" 0.05 μ F "	C ₂₀	" 100 μ F 6V, Electrolytic
R ₁₁	" 330 Ω "			C ₉	" 0.01 μ F "	C ₂₁	" 0.1 μ F MPS
R ₁₂	" 1K Ω "			C ₁₀	" 10 μ F 6V Electrolytic	C ₂₂	" 100 μ F 6V, Electrolytic

* To be Adjusted