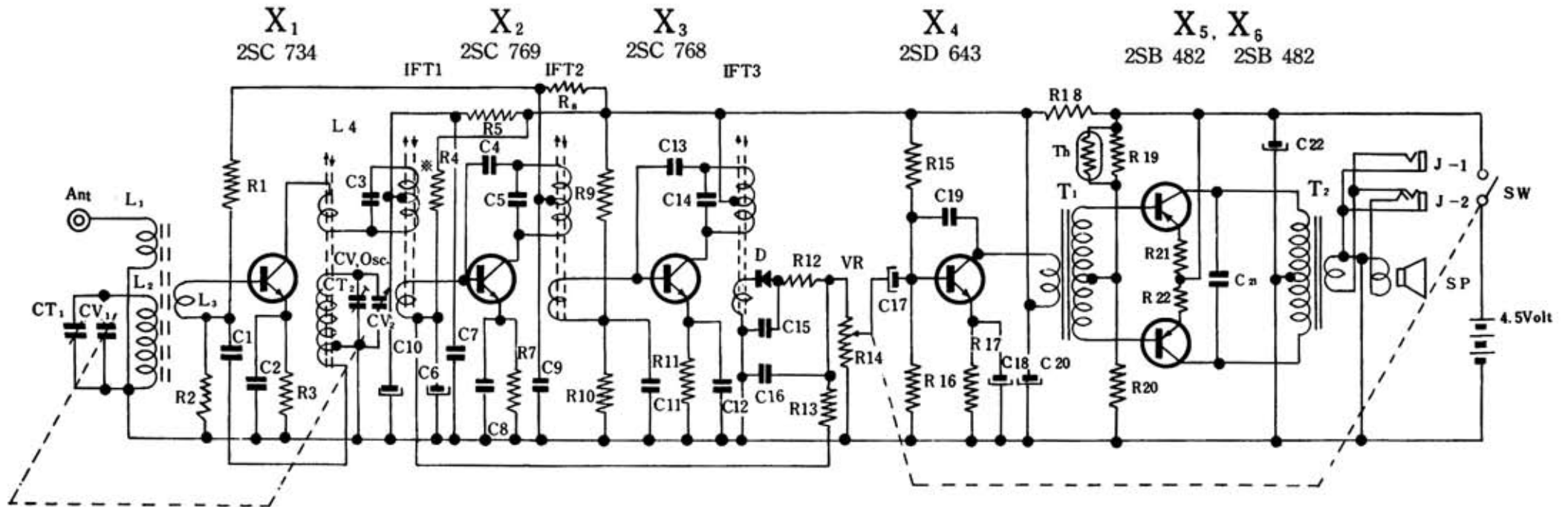


# SONY MODEL TR-6081



Symbol	Description	Symbol	Description	Symbol	Description	Symbol	Description
R1	Carbon Resistor 10K $\Omega$ RD $\frac{1}{2}$ L-T	R13	Carbon Resistor 7.5K $\Omega$ RD $\frac{1}{2}$ L-T	CT	Trimmer Capacitor	C11	0.05 $\mu$ F mylar
R2	" 27K $\Omega$ "	R14	Volume Control	CV	Tuning Capacitor	C12	0.05 $\mu$ F "
R3	" 5.6K $\Omega$ "	R15	Carbon Resistor 10K $\Omega$ RD $\frac{1}{2}$ L-T	C1	0.01 $\mu$ F $\pm$ 0.5pF mylar	C13	2pF Ceramic
R4	" 64K $\Omega$ "	R16	" 3.3K $\Omega$ "	C2	0.005 $\mu$ F "	C14	180pF built in IFT
R5	" 100 $\Omega$ "	R17	" 330K $\Omega$ "	C3	180pF built in IFT	C15	0.02 $\mu$ F mylar
R6	Deleted	R18	" 62 $\Omega$ "	C4	2pF Ceramic	C16	0.01 $\mu$ F "
R7	Carbon Resistor 560 $\Omega$ RD $\frac{1}{2}$ L-T	R19	Deleted	C5	180pF built in IFT	C17	10 $\mu$ F 3V Electrolytic
R8	" 5.6K $\Omega$ "	R20	Carbon Resistor 3.3K $\Omega$ RD $\frac{1}{2}$ L-T	C6	10 $\mu$ F 3V Electrolytic	C18	100 $\mu$ F 3V "
R9	" 22K $\Omega$ "	R21	" 5 $\Omega$ "	C7	0.05 $\mu$ F mylar	C19	0.001 $\mu$ F mylar
R10	" 3.3K $\Omega$ "	R22	" 5 $\Omega$ "	C8	0.05 $\mu$ F "	C20	100 $\mu$ F 6V Electrolytic
R11	" 330 $\Omega$ "			C9	0.01 $\mu$ F "	C21	0.1 $\mu$ F MPS
R12	" 1K $\Omega$ "			C10	10 $\mu$ F 6V Electrolytic	C22	100 $\mu$ F 6V Electrolytic