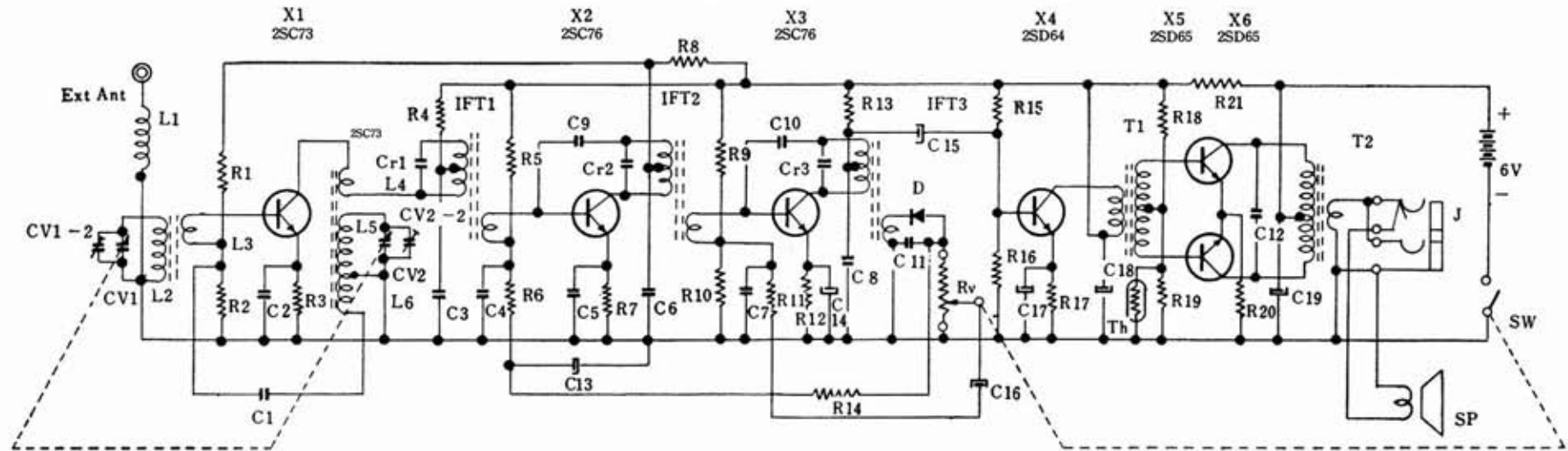
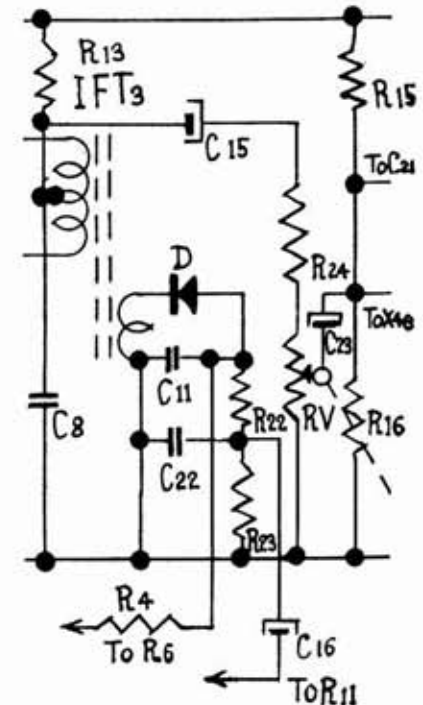


## Schematic Diagram for TR-609



R1	30 K $\Omega$	R18	3.9 K $\Omega$	C11	0.02 $\mu$ F (0.01 $\mu$ F)
R2	47 K $\Omega$	R19	220 $\Omega$ (deleted)	C12	0.1 $\mu$ F mylar
R3	3.3 K $\Omega$	R20	10 $\Omega$	C13	10 $\mu$ F 3 V electrolytic
R4	5.6 K $\Omega$ (3.3 K $\Omega$ )	R21	100 $\Omega$	C14	30 $\mu$ F 3 V "
R5	82 K $\Omega$	RV	5 K $\Omega$ potentiometer	C15	10 $\mu$ F 6 V " $\rightarrow$ (30 $\mu$ F 6 V)
R6	2.2 K $\Omega$	CV1 } Tuning condenser		C16	10 $\mu$ F 3 V "
R7	330 $\Omega$	CV2 } Tuning condenser		C17	50 $\mu$ F 3 V "
R8	8.2 K $\Omega$	C1	0.01 $\mu$ F	C18	100 $\mu$ F 6 V "
R9	8.2 K $\Omega$ (7.5 K $\Omega$ )	C2	0.05 $\mu$ F +30% -20%	C19	100 $\mu$ F 6 V "
R10	2.2 K $\Omega$	C3	0.04 $\mu$ F	C20	— (10 $\mu$ F 6 V electrolytic)
R11	1 K $\Omega$ (1K $\Omega$ )	C4	0.04 $\mu$ F	C21	— (0.002 $\mu$ F mylar)
R12	560 $\Omega$ (670 $\Omega$ )	C5	0.04 $\mu$ F	C22	— (0.01 $\mu$ F " )
R13	560 $\Omega$ (680 $\Omega$ )	C6	0.1 $\mu$ F mylar	C23	— (30 $\mu$ F 3 V electrolytic)
R14	3.3 K $\Omega$	C7	0.02 $\mu$ F		
R15	3.9 K $\Omega$	C8	0.02 $\mu$ F		
R16	2.2 K $\Omega$	C9	1PF		
R17	330 $\Omega$	C10	1PF		

Revised values (after serial No. 58001) are shown in parentheses.



Revised circuit after serial No. 58001