

# SONY TR-614L

X1  
CONV.  
2SC73

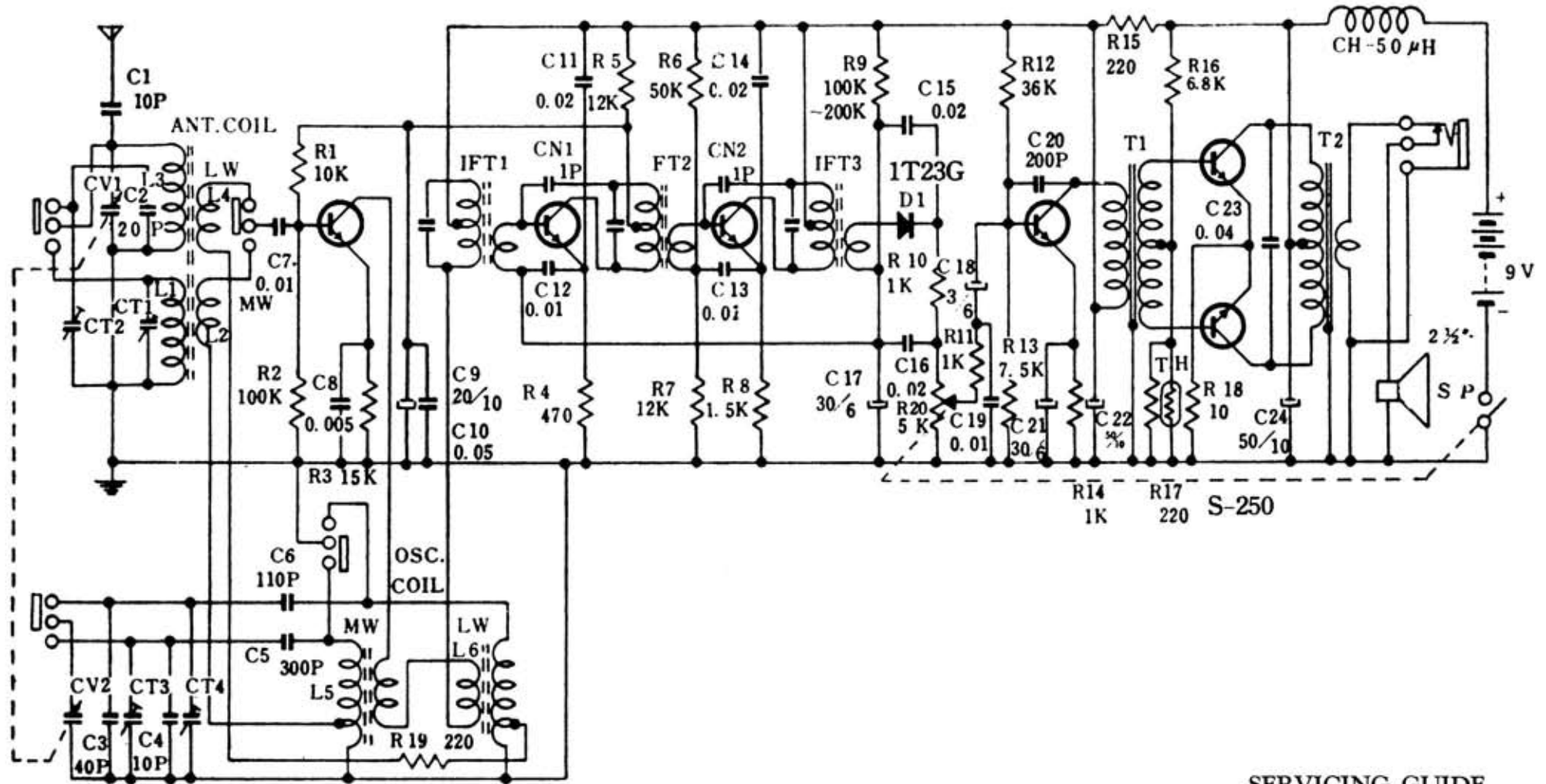
X2  
1ST. IF  
2SC76

X3  
2ND. IF  
2SC76

D  
DET

X4  
DRIVER  
2SD66

X5, 6  
OUT PUT  
2SD65 2SD65



SERVICING GUIDE