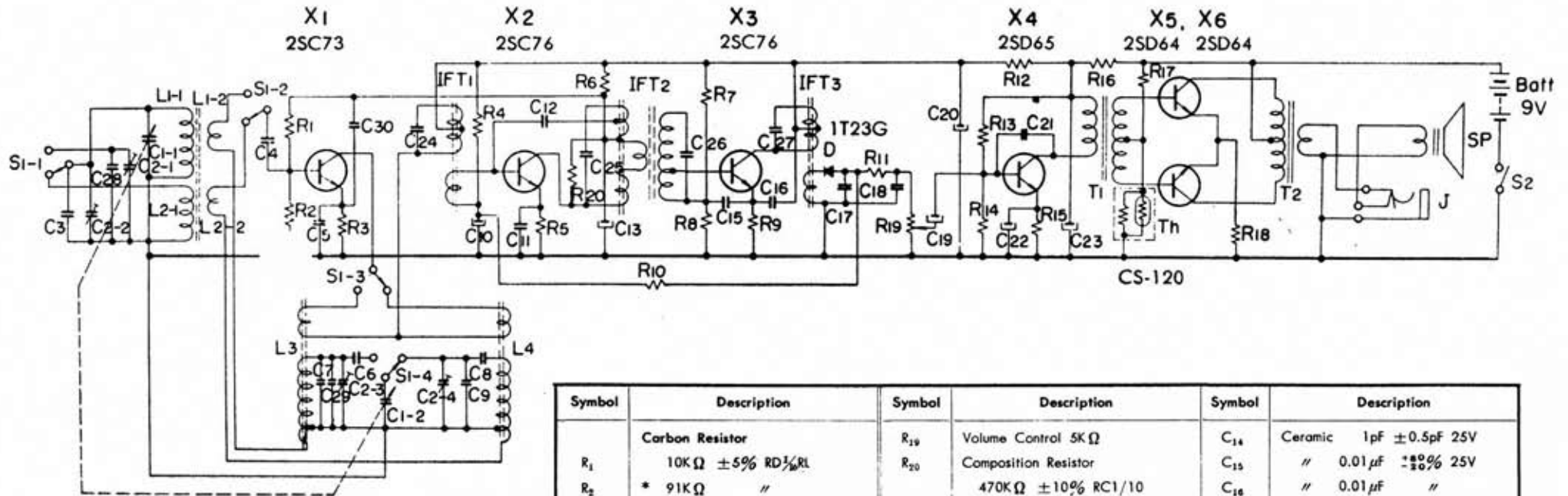


# SONY TR-615L



Symbol	Description	Symbol	Description	Symbol	Description
	<b>Carbon Resistor</b>	R <sub>19</sub>	Volume Control 5K Ω	C <sub>14</sub>	Ceramic 1pF ±0.5pF 25V
R <sub>1</sub>	10K Ω ±5% RD <sup>1</sup> / <sub>10</sub> RL	R <sub>20</sub>	Composition Resistor 470K Ω ±10% RC1/10	C <sub>15</sub>	" 0.01 μF ±10% 25V
R <sub>2</sub>	* 91K Ω "			C <sub>16</sub>	" 0.01 μF "
R <sub>3</sub>	12K Ω ±5% RD <sup>1</sup> / <sub>10</sub> RL			C <sub>17</sub>	" 0.02 μF "
R <sub>4</sub>	* 120K Ω "			C <sub>18</sub>	" 0.02 μF "
R <sub>5</sub>	560 Ω "				
R <sub>6</sub>	10K Ω "	C <sub>1</sub>	PVC Tuning Capacitor 270pF	C <sub>19</sub>	Electrolytic 10 μF 3V ±100%
R <sub>7</sub>	24K Ω "	C <sub>2</sub>		C <sub>20</sub>	" 50 μF 10V "
R <sub>8</sub>	39K Ω "	C <sub>3</sub>	Ceramic Capacitor 5pF ±0.5pF 25V	C <sub>21</sub>	Ceramic 200pF ±10% 25V
R <sub>9</sub>	560 Ω "	C <sub>4</sub>	0.01 μF ±10% 25V	C <sub>22</sub>	Electrolytic 30 μF 3V ±100%
R <sub>10</sub>	5.6K Ω "	C <sub>5</sub>	0.01 μF "	C <sub>23</sub>	" 50 μF 10V "
R <sub>11</sub>	560 Ω "	C <sub>6</sub>	Polyethylene 150pF ±5% 125V	C <sub>24</sub>	Built in IFT <sub>1</sub> 150pF
R <sub>12</sub>	220 Ω "	C <sub>7</sub>	Ceramic 80pF ±5% 25V	C <sub>25</sub>	IFT <sub>2</sub> "
R <sub>13</sub>	27K Ω "	C <sub>8</sub>	Polyethylene 300pF ±5% 25V	C <sub>26</sub>	IFT <sub>3</sub> "
R <sub>14</sub>	8.2K Ω "	C <sub>9</sub>	Ceramic 15pF ±5% 25V	C <sub>27</sub>	IFT <sub>3</sub> "
R <sub>15</sub>	1.5K Ω "	C <sub>10</sub>	Electrolytic 10 μF 3V ±100%	C <sub>28</sub>	Ceramic 25pF ±5% 25V
R <sub>16</sub>	220 Ω "	C <sub>11</sub>	Ceramic 0.02 μF ±10% 25V	C <sub>29</sub>	" 5pF ±5pF 25V
R <sub>17</sub>	7.5K Ω "	C <sub>12</sub>	" 8pF ±0.5pF 25V	C <sub>30</sub>	" 0.01 μF ±10% 25V
R <sub>18</sub>	10 Ω "	C <sub>13</sub>	Electrolytic 1 μF 15V ±100%		

\* To be adjusted