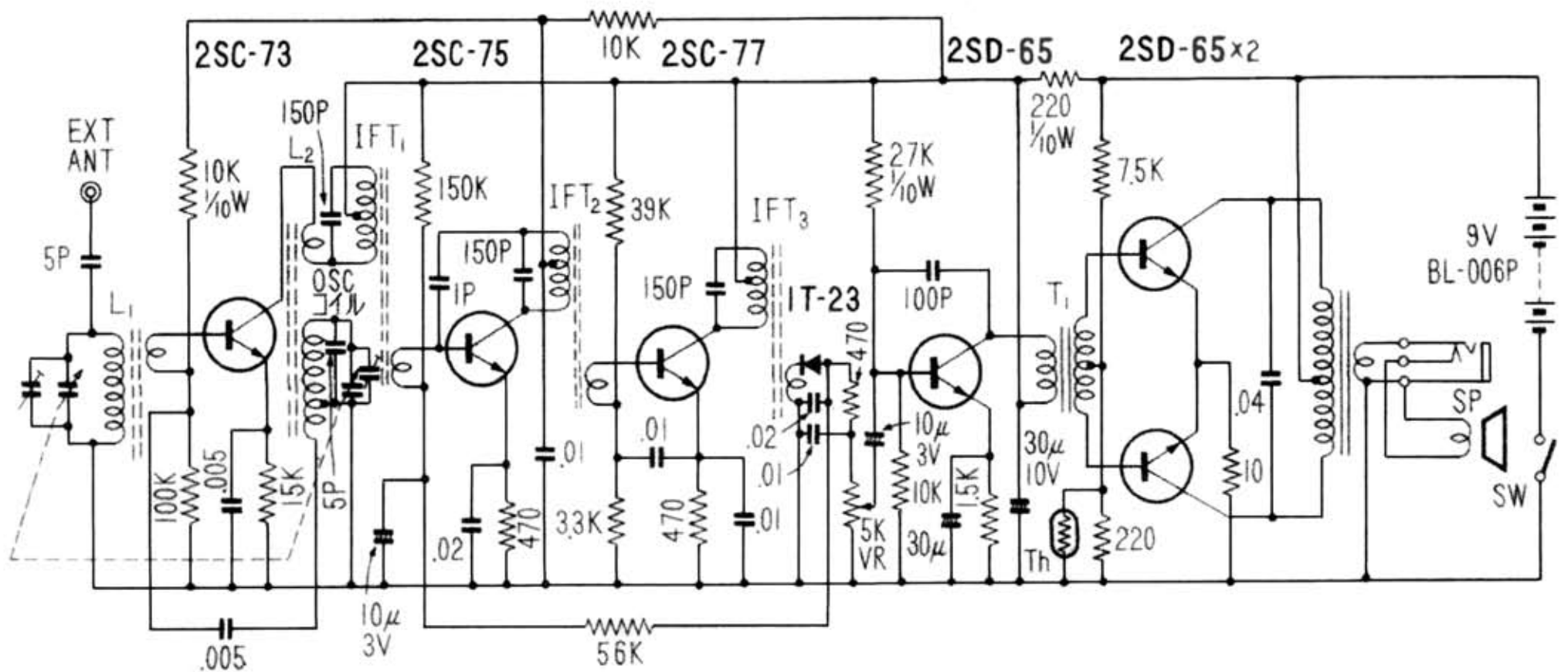
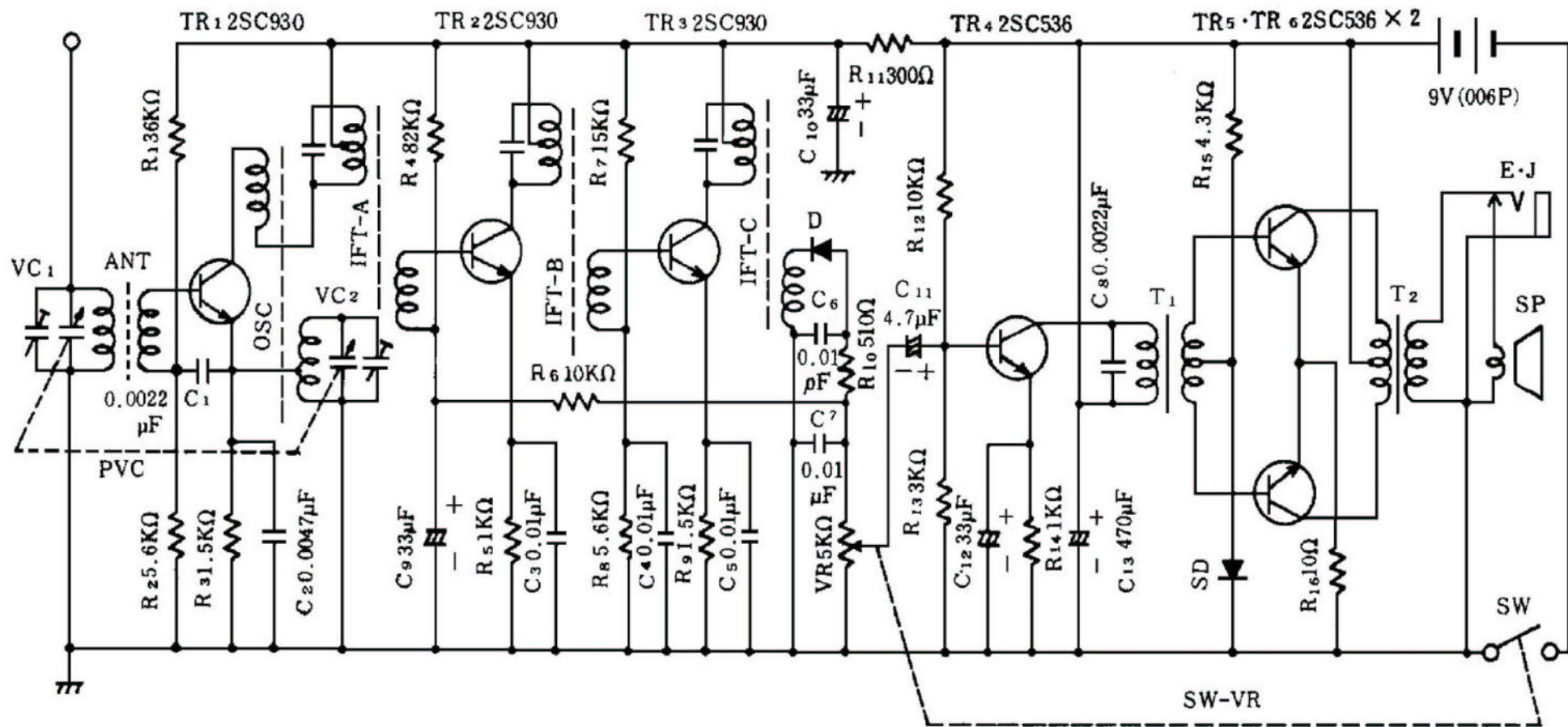


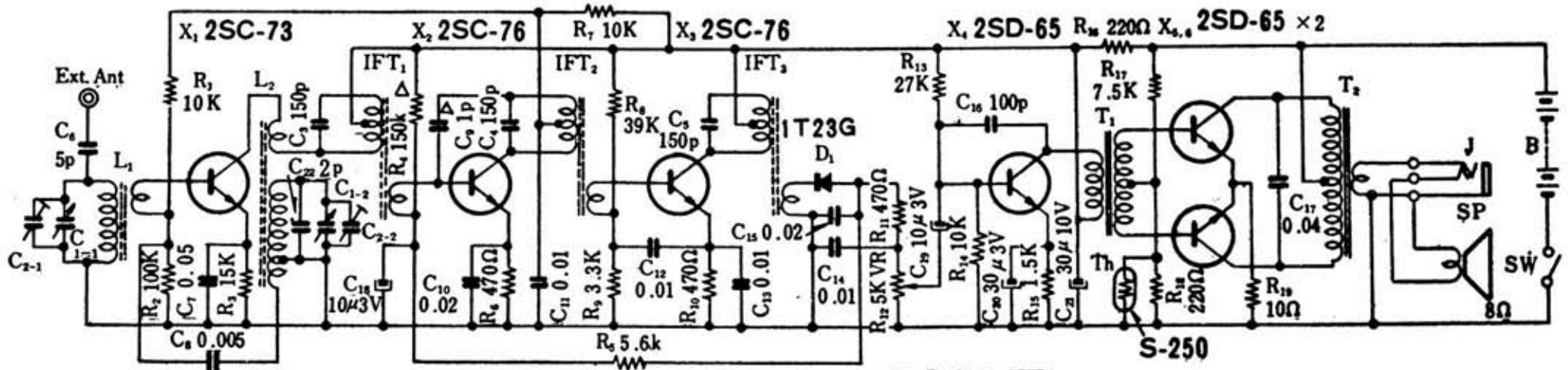
ソニー 6石 1 Band TR-620





ソニー TR-620

SONY MODEL TR-620



* Built in IFT
 △ To be adjusted
 All resistors are 1/10 watt.