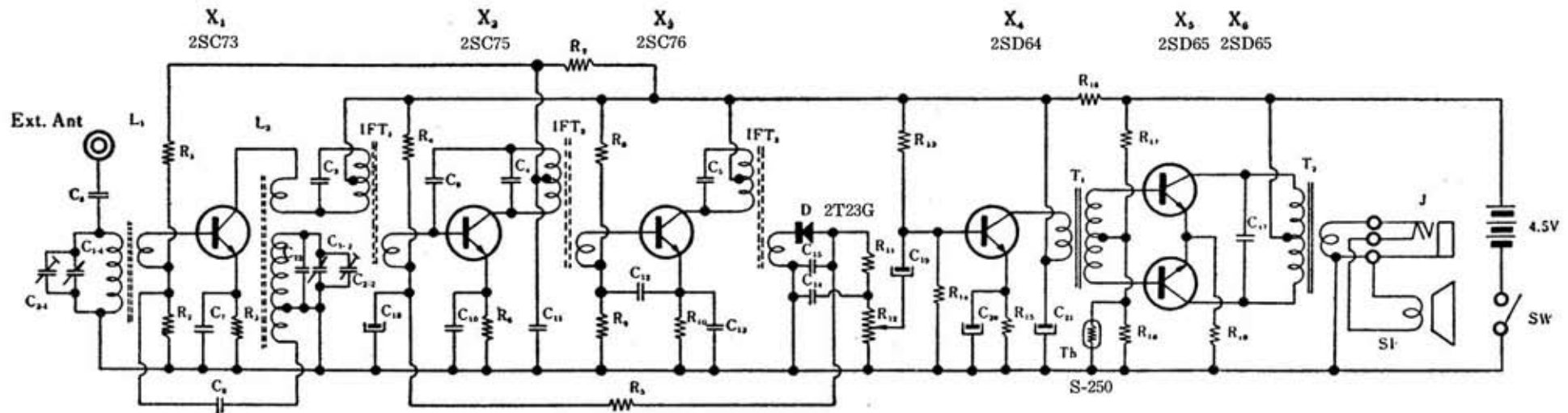


# SONY TR-623



## Electronic parts list

R <sub>1</sub>	7.5 k $\Omega$	R <sub>15</sub>	180 $\Omega$	C <sub>11</sub>	0.01 $\mu$ F ceramic
R <sub>2</sub>	10 k $\Omega$	R <sub>16</sub>	33 $\Omega$	C <sub>12</sub>	0.01 $\mu$ F ceramic
R <sub>3</sub>	3.3 k $\Omega$	R <sub>17</sub>	3.9 k $\Omega$	C <sub>13</sub>	0.01 $\mu$ F ceramic
R <sub>4</sub>	110 k $\Omega$	R <sub>18</sub>	220 $\Omega$	C <sub>14</sub>	0.01 $\mu$ F ceramic
R <sub>5</sub>	15 k $\Omega$	R <sub>19</sub>	3 $\Omega$	C <sub>15</sub>	0.01 $\mu$ F ceramic
R <sub>6</sub>	330 $\Omega$	C <sub>1, 2</sub>	Tuning condenser	C <sub>16</sub>	
R <sub>7</sub>	3.9 k $\Omega$	C <sub>3</sub>	150 PF built in IFT <sub>1</sub>	C <sub>17</sub>	0.04 $\mu$ F ceramic
R <sub>8</sub>	18 k $\Omega$	C <sub>4</sub>	150 PF built in IFT <sub>2</sub>	C <sub>18</sub>	10 $\mu$ F 3 V electrolytic
R <sub>9</sub>	3.3 k $\Omega$	C <sub>5</sub>	150 PF built in IFT <sub>3</sub>	C <sub>19</sub>	10 $\mu$ F 3 V electrolytic
R <sub>10</sub>	330 $\Omega$	C <sub>6</sub>	5 PF ceramic	C <sub>20</sub>	0.5 $\mu$ F 6 V electrolytic
R <sub>11</sub>	220 $\Omega$	C <sub>7</sub>	0.005 $\mu$ F ceramic	C <sub>21</sub>	30 $\mu$ F 6 V electrolytic
R <sub>12</sub>	5k $\Omega$ potentiometer	C <sub>8</sub>	0.005 $\mu$ F ceramic	C <sub>22</sub>	2 PF ceramic
R <sub>13</sub>	9.1 k $\Omega$	C <sub>9</sub>	1 PF ceramic		
R <sub>14</sub>	2.2 k $\Omega$	C <sub>10</sub>	0.02 $\mu$ F ceramic		