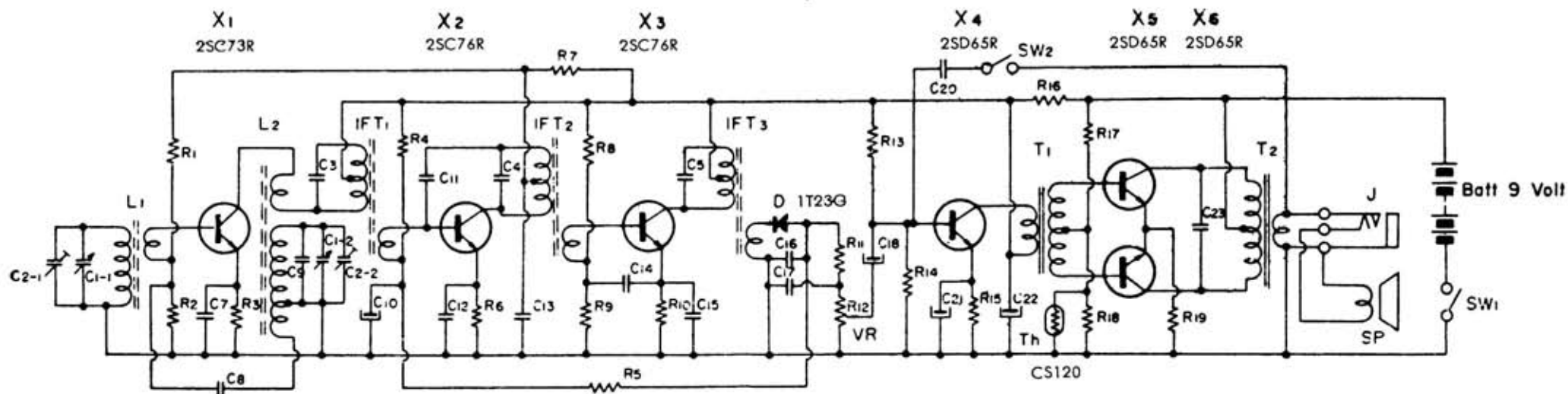


SONY TR-630



Symbol	Description	Symbol	Description	Symbol	Description	Symbol	Description
R ₁	Carbon Resistor 10 KΩ ± 20%	R ₁₂	Potentiometer 5 KΩ	C _{1-1, 1-2}	Tuning Capacitor	C ₁₂ -2	0.02 μF ± 1.00% //
R ₂	100 KΩ //	R ₁₃	Carbon Resistor 27 KΩ ± 20%	C _{2-1, 2-2}	Trimmer Capacitor	C ₁₃ -2	0.01 μF // //
R ₃	15 KΩ ± 100%	R ₁₄	10 KΩ //	C ₃	Capacitor 150 PF built in IFT ₋₁	C ₁₄	0.01 μF // //
R ₄	150 KΩ ± 20%	R ₁₅	1.5 KΩ //	C ₄	// " IFT ₋₃	C ₁₅	0.01 μF // //
R ₅	5.6 KΩ ± 10%	R ₁₆	220 Ω //	C ₅	// " IFT ₋₂	C ₁₆	0.02 μF // //
R ₆	470 Ω ± 20%	R ₁₇	7.5 KΩ //	C ₆	—deleted—	C ₁₇	0.01 μF // //
R ₇	10 KΩ //	R ₁₈	220 Ω built-in Th.	C ₇	0.005 μF ± 1.00% Ceramic	C ₁₈	10 μF 3 V Electrolytic
R ₈	39 KΩ //	R ₁₉	10 KΩ ± 20%	C ₈	// " //	C ₁₉	—deleted—
R ₉	3.3 KΩ //			C ₉	3 PF ± 0.5 PF //	C ₂₀	0.001 μF ± 3.0% Mylar
R ₁₀	470 Ω //			C ₁₀	10 μF 3 V Electrolytic	C ₂₁	30 μF 3V Electrolytic
R ₁₁	470 Ω ± 20%			C ₁₁	1 PF ± 0.5 PF Ceramic	C ₂₂	30 μF 10V //
						C ₂₃	0.04 μF ± 1.00% Ceramic