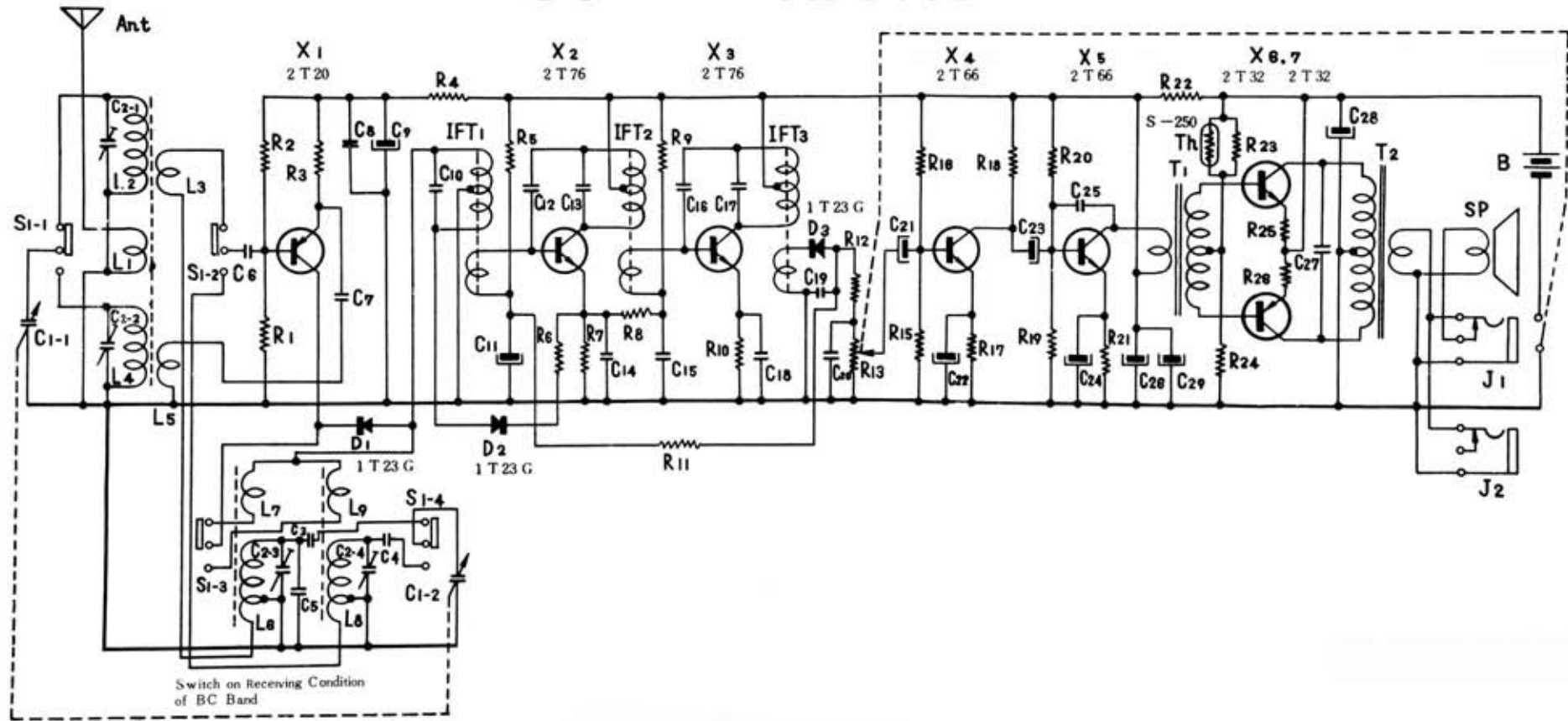


# SONY TR-710B



R <sub>1</sub>	6.2K Adjustable	R <sub>10</sub>	5K VR with Switch	R <sub>11</sub>	60	C <sub>6</sub>	0.01 μF Ceramic Condenser	C <sub>10</sub>	0.02 μF MFL
R <sub>2</sub>	2.2K	R <sub>11</sub>		R <sub>12</sub>	33	C <sub>7</sub>	0.05 μF " "	C <sub>11</sub>	" "
R <sub>3</sub>	1.5K	R <sub>12</sub>	4.2K	R <sub>13</sub>	220	C <sub>8</sub>	0.01 μF " "	C <sub>12</sub>	" "
R <sub>4</sub>	33K	R <sub>13</sub>	100	R <sub>14</sub>	2.2K	C <sub>9</sub>	30 μF 3V Electrolytic Condenser	C <sub>13</sub>	10 μF 3V Electrolytic Condenser
R <sub>5</sub>	33K Adjustable	R <sub>14</sub>	5K VR with Switch	R <sub>15</sub>	3	C <sub>10</sub>	1FT Built-in	C <sub>14</sub>	30 μF 3V Electrolytic Condenser
R <sub>6</sub>	1.2K	R <sub>15</sub>		R <sub>16</sub>	3	C <sub>11</sub>	10 μF 3V Electrolytic Condenser	C <sub>15</sub>	10 μF 3V " "
R <sub>7</sub>	220	R <sub>16</sub>	6.8K	R <sub>17</sub>	2K	C <sub>12</sub>	2 μF Adjustable Styrol Condenser	C <sub>16</sub>	30 μF 3V " "
R <sub>8</sub>	560	R <sub>17</sub>	22K	C <sub>1</sub>	PVC 2 J	C <sub>13</sub>	1FT Built-in IFT	C <sub>17</sub>	0.01 μF MFL
R <sub>9</sub>	6.2K	R <sub>18</sub>	330	C <sub>2</sub>	4 Trimmers	C <sub>14</sub>	0.02 μF MFL	C <sub>18</sub>	30 μF 3V Electrolytic Condenser
R <sub>10</sub>	220	R <sub>19</sub>	560	C <sub>3</sub>	370 μF Styrol Condenser	C <sub>15</sub>	" "	C <sub>19</sub>	0.1 μF Disc Condenser
R <sub>11</sub>	4.2K	R <sub>20</sub>	2.2K	C <sub>4</sub>	2000 μF " "	C <sub>16</sub>	2 μF Adjustable Styrol Condenser	C <sub>20</sub>	30 μF 3V Electrolytic Condenser
R <sub>12</sub>	100	R <sub>21</sub>	5.6K	C <sub>5</sub>	10 μF " "	C <sub>17</sub>	1FT Built-in	C <sub>21</sub>	30 μF 3V " "