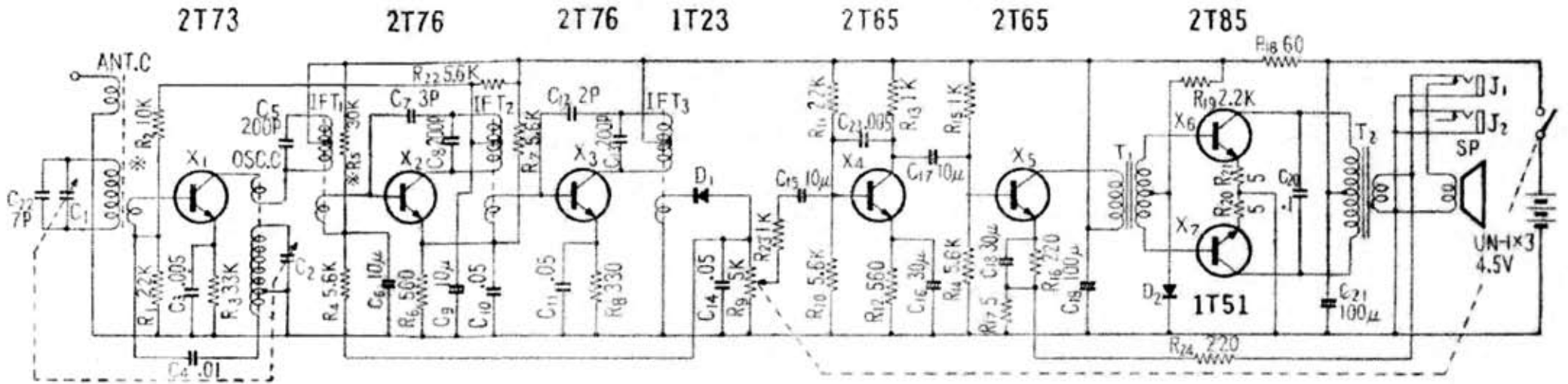
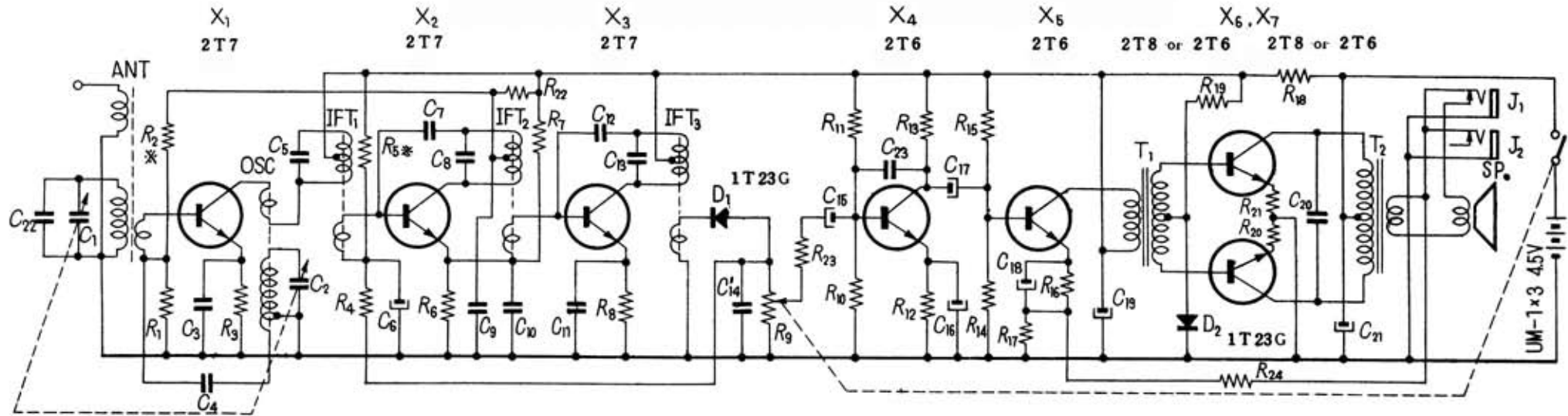


Y- TR-712



CIRCUIT DIAGRAM FOR TR-712



C ₁	} Tuning Capacitor	C ₈	200 pF	C ₁₈	30 μF	3 V	R ₁	22 KΩ	R ₉	VR, with Switch	5 KΩ	R ₁₇	5 Ω
C ₂		C ₉	10 μF	6 V	C ₁₇	10 μF	3 V	*R ₂	10 KΩ	R ₁₀	5.6 KΩ	R ₁₈	60 Ω
C ₃	0.005 μF	C ₁₀	0.05 μF	C ₁₈	30 μF	3 V	R ₃	3.3 KΩ	R ₁₁	22 KΩ	R ₁₉	2.2 KΩ	
C ₄	0.01 μF	C ₁₁	0.05 μF	C ₁₉	100 μF	6 V	R ₄	5.6 KΩ	R ₁₂	560 Ω	R ₂₀	5 Ω	
C ₅	200 pF	C ₁₂	2 pF	C ₂₀		0.1 μF	*R ₅	30 KΩ	R ₁₃	1 KΩ	R ₂₁	5 Ω	
C ₆	10 μF	3 V	C ₁₃	200 pF	C ₂₁	100 μF	6 V	R ₆	560 Ω	R ₁₄	5.6 KΩ	R ₂₂	5.6 KΩ
C ₇	3 pF	C ₁₄	0.05 μF	C ₂₂		3 pF	R ₇	5.6 KΩ	R ₁₅	10 KΩ	R ₂₃	1 KΩ	
		C ₁₅	10 μF	3 V	C ₂₃	0.005 μF	R ₈	330 Ω	R ₁₆	220 Ω	R ₂₄	220 Ω	

No. : * Adjusting Resistors

SERVICING GUIDE