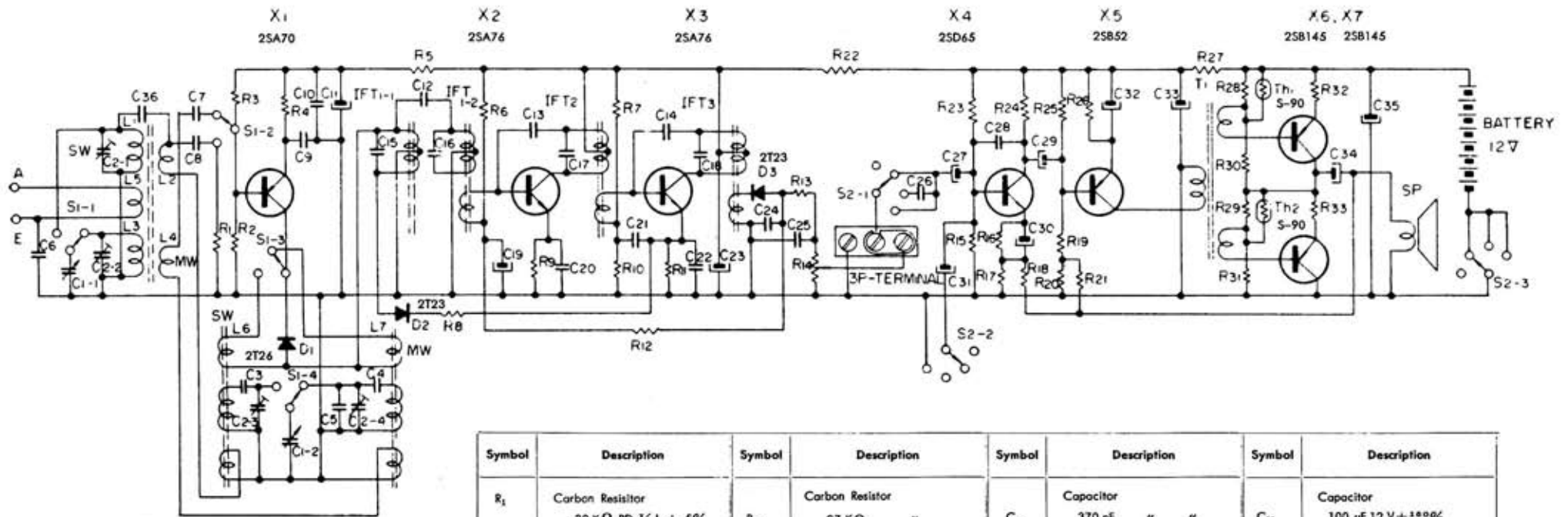


SONY TR-726



Symbol	Description	Symbol	Description	Symbol	Description	Symbol	Description
R ₁	Carbon Resistor 39 KΩ RD ¼ l ± 5%	R ₁₉	27 KΩ "	C ₄	370 pF " "	C ₁₈	100 μF 12 V ± 10% Electrolytic
R ₂ *	22 KΩ "	R ₂₀	100 Ω "	C ₅	10 pF ± 10% Ceramic	C ₂₄	0.01 μF ± 10% Ceramic
R ₃	2.7 KΩ "	R ₂₁	220 Ω "	C ₆	0.01 μF ± 10% "	C ₂₅	0.01 μF " "
R ₄	2.2 KΩ "	R ₂₂	2.2 KΩ "	C ₇	0.001 μF " "	C ₂₆	0.1 μF ± 20% Maylar
R ₅	2.2 KΩ "	R ₂₃	47 KΩ "	C ₈	0.001 μF " "	C ₂₇	10 μF 6 V ± 10% Electrolytic
R ₆	100 KΩ "	R ₂₄	4.7 KΩ "	C ₉	0.005 μF " "	C ₁₉	0.01 μF " "
R ₇	24 KΩ "	R ₂₅	3.3 KΩ "	C ₁₀	100 μF 10 V Electrolytic	C ₂₈	0.005 μF ± 10% Ceramic
R ₈	1 KΩ "	R ₂₆	220 Ω "	C ₁₁	20 pF ± 5% Styrol	C ₂₉	30 μF 6 V ± 10% Electrolytic
R ₉	470 Ω "	R ₂₇	100 Ω "	C ₁₂	2 pF ± 0.5% Ceramic	C ₃₀	30 μF " "
R ₁₀	2.2 KΩ "	R ₂₈	82 Ω "	C ₁₃	2 pF " "	C ₃₁	1 μF 10 V ± 10% Alox
R ₁₁	220 Ω "	R ₂₉	82 Ω "	C ₁₄	2 pF " "	C ₃₂	100 μF 12 V ± 10% Electrolytic
R ₁₂	5.6 KΩ "	R ₃₀	1.5 KΩ "	C ₁₅	180 pF built in IFT	C ₃₃	200 μF 12 V " "
R ₁₃	470 Ω "	R ₃₁	1.5 KΩ RD ¼ l ± 5%	C ₁₆	180 pF "	C ₃₄	200 μF 12 V " "
R ₁₄	Potentiometer 5 KΩ	R ₃₂	1 Ω "	C ₁₇	180 pF "	C ₃₅	200 pF 12 V " "
R ₁₅	Carbon Resistor 10 KΩ RD ¼ l ± 5%	R ₃₃	1 Ω "	C ₁₈	180 pF "	C ₃₆	3 pF ± 0.5 pF Ceramic
R ₁₆	1.5 KΩ "	C ₁	Tuning Capacitor 2 gang	C ₁₉	10 μF 6 V ± 10% Electrolytic		
R ₁₇	10 Ω "	C ₂	Trimmer Capacitor 4 unit	C ₂₀	0.02 μF ± 10% Ceramic		
R ₁₈	15 KΩ "	C ₃	Capacitor 3000 pF ± 5% Styrol	C ₂₁	0.01 μF " "		
				C ₂₂	0.02 μF " "		