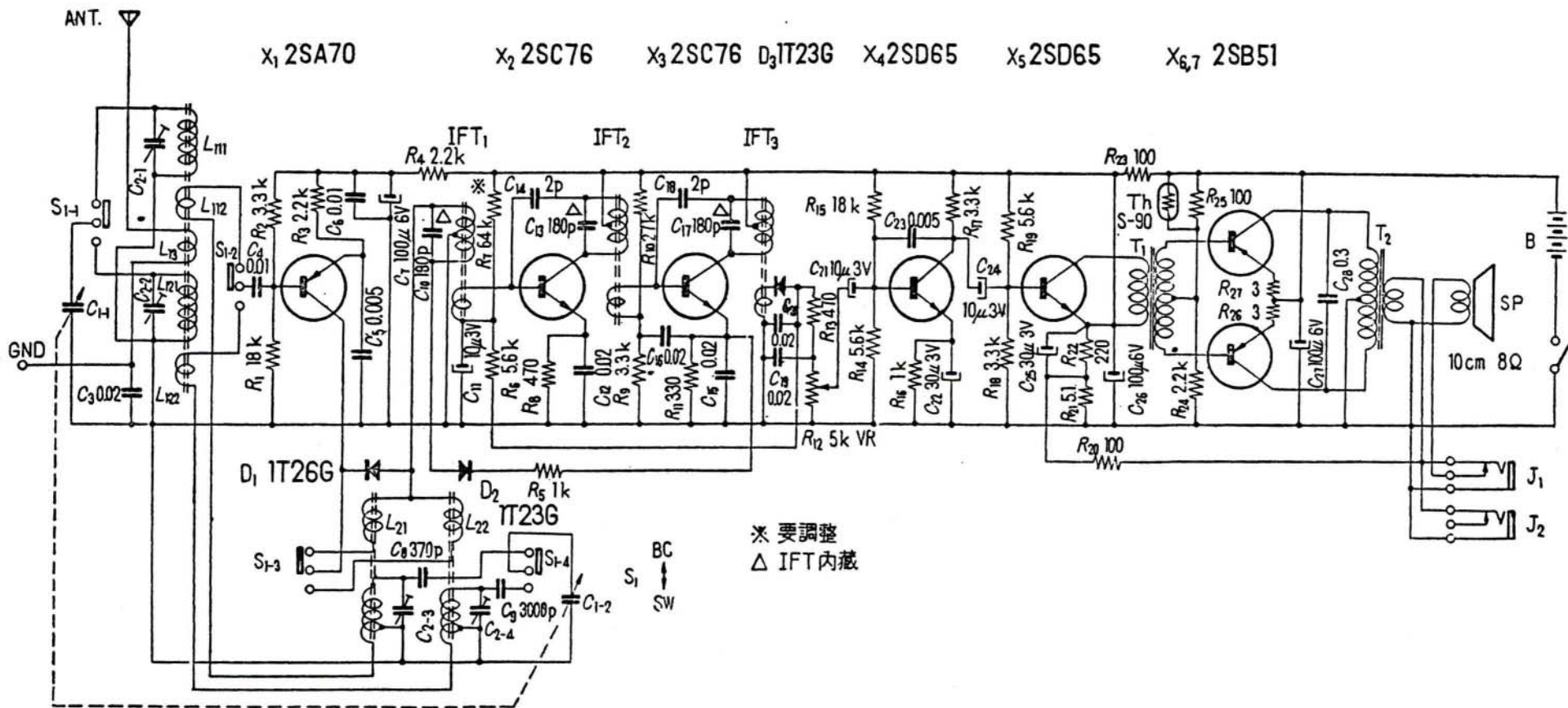
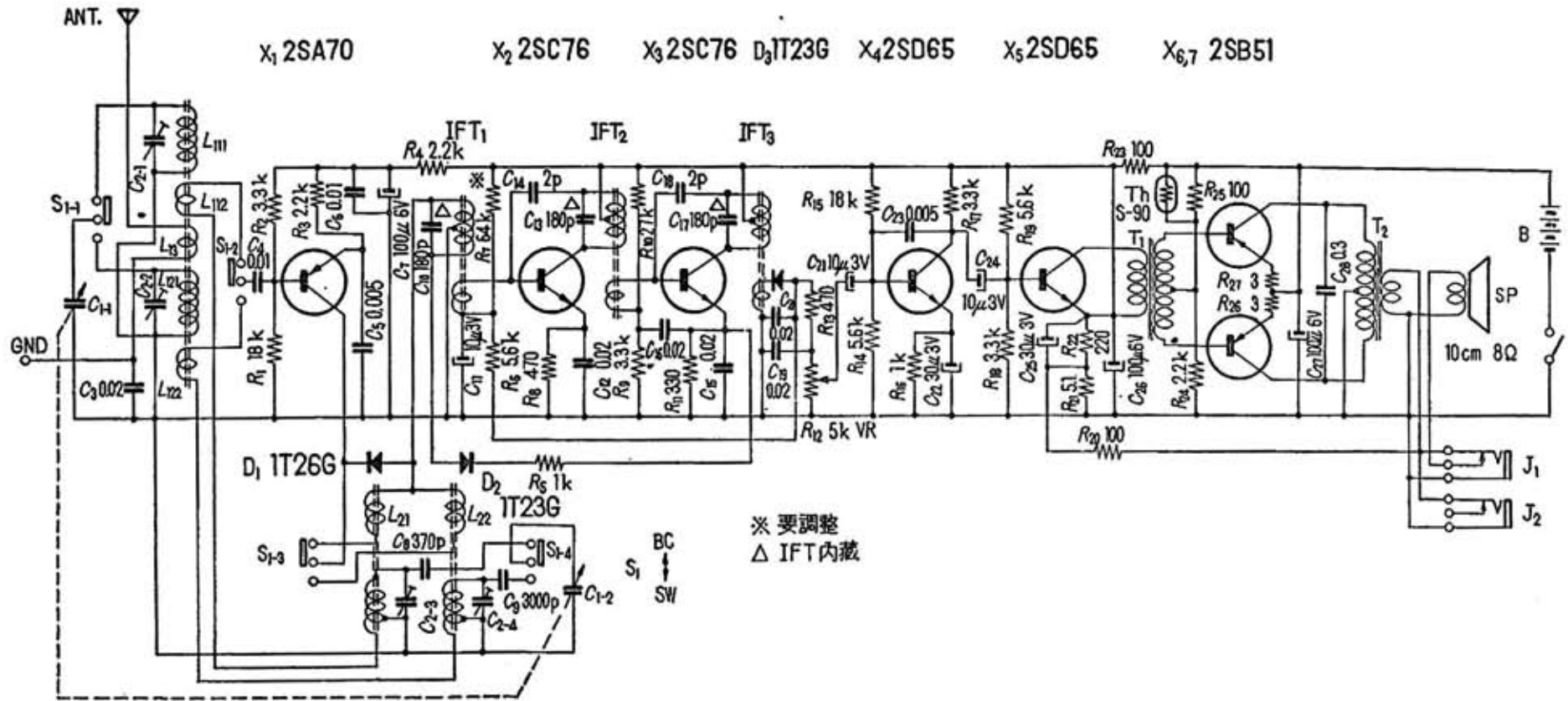


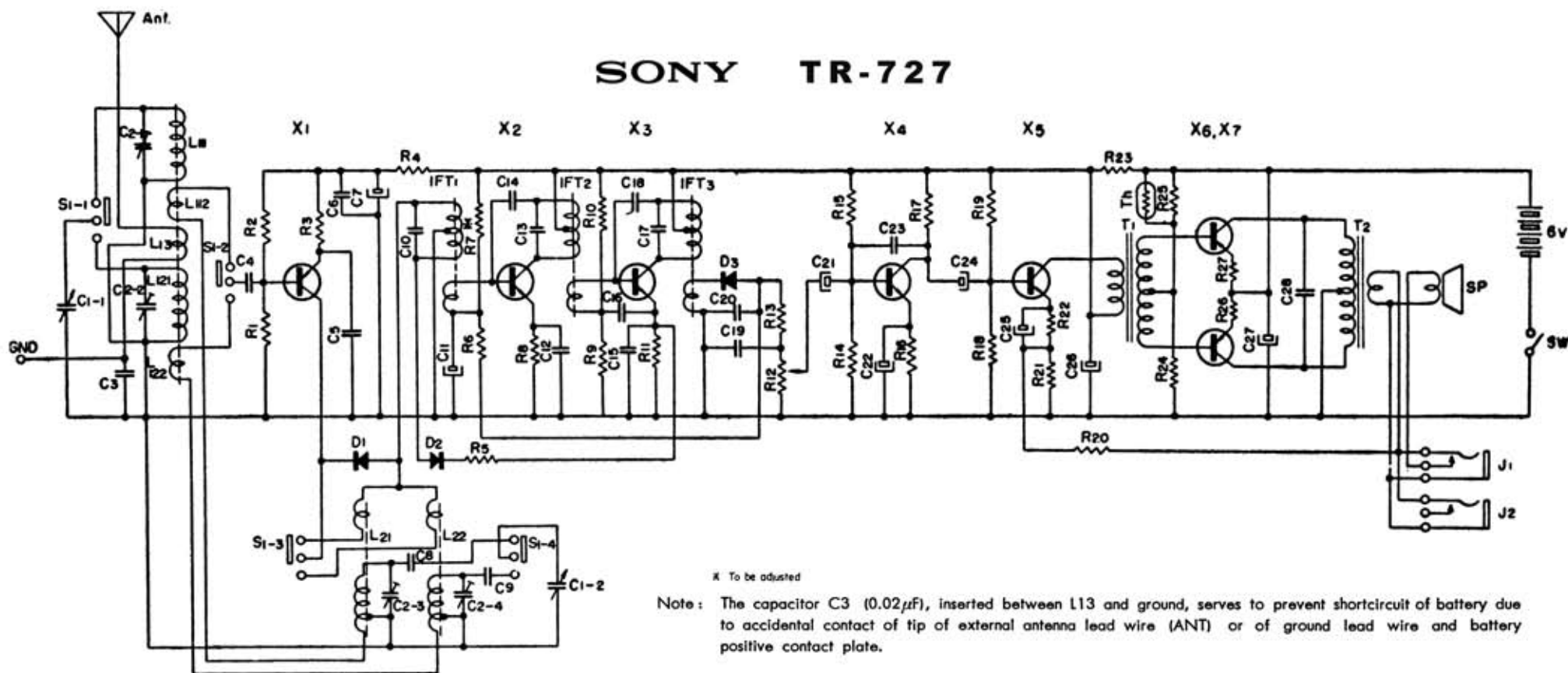
ソニー TR-727



ソニー TR-727



SONY TR-727



X To be adjusted

Note: The capacitor C3 (0.02 μ F), inserted between L13 and ground, serves to prevent shortcircuit of battery due to accidental contact of tip of external antenna lead wire (ANT) or of ground lead wire and battery positive contact plate.

Symbol	Description	Symbol	Description	Symbol	Description
R ₁	Carbon Resistor 18 K Ω RD 1/4L \pm 5%	R ₁₇	Carbon Resistor 3.3 K Ω RD 1/4L \pm 5%	C ₉	Styrol Capacitor 3000pF \pm 5%
R ₂	" 3.3 K Ω "	R ₁₈	" 3.3 K Ω "	C ₁₀	" 180pF built in IFT ₁
R ₃	" 2.2 K Ω "	R ₁₉	" 5.6 K Ω "	C ₁₁	Electrolytic Capacitor 10 μ F 3V
R ₄	" 2.2 K Ω "	R ₂₀	" 100 Ω "	C ₁₂	Ceramic Capacitor 0.02 μ F \pm 5%
R ₅	" 1 K Ω "	R ₂₁	" 5.1 Ω "	C ₁₃	" 180pF built in IFT ₂
R ₆	" 5.6 K Ω "	R ₂₂	" 220 Ω "	C ₁₄	" 2pF \pm 0.5pF
R ₇ *	" 64 K Ω "	R ₂₃	" 100 Ω "	C ₁₅	" 0.02 μ F \pm 5%
R ₈	" 470 Ω "	R ₂₄	" 2.2 K Ω "	C ₁₆	" 0.02 μ F "
R ₉	" 3.3 K Ω "	R ₂₅	" 100 Ω "	C ₁₇	" 180pF built in IFT ₃
R ₁₀	" 27 K Ω "	R ₂₆	" 3 Ω "	C ₁₈	" 2pF \pm 0.5pF
R ₁₁	" 330 Ω "	R ₂₇	" 3 Ω "	C ₁₉	" 0.02 μ F \pm 5%
R ₁₂	Potentiometer 5 K Ω	C ₁	Tuning Capacitor 2 Gang	C ₂₀	" 0.02 μ F "
R ₁₃	Carbon Resistor 470 Ω RD 1/4L \pm 5%	C ₂	Trimmer Capacitor 4 Unit	C ₂₁	Electrolytic Capacitor 10 μ F 3V
R ₁₄	" 5.6 K Ω "	C ₃	Ceramic Capacitor 0.02 μ F \pm 5%	C ₂₂	" 30 μ F 3V
R ₁₅	" 18 K Ω "	C ₄	" 0.01 μ F "	C ₂₃	Ceramic Capacitor 0.005 μ F \pm 5%
R ₁₆	" 1 K Ω "	C ₅	" 0.005 μ F "	C ₂₄	Electrolytic Capacitor 10 μ F 3V
		C ₆	" 0.01 μ F "	C ₂₅	" 30 μ F 3V
		C ₇	Electrolytic Capacitor 100 μ F 6V	C ₂₆	" 100 μ F 6V
		C ₈	Styrol Capacitor 370pF \pm 5%	C ₂₇	" 100 μ F 6V
				C ₂₈	Mylar Capacitor 0.3 μ F