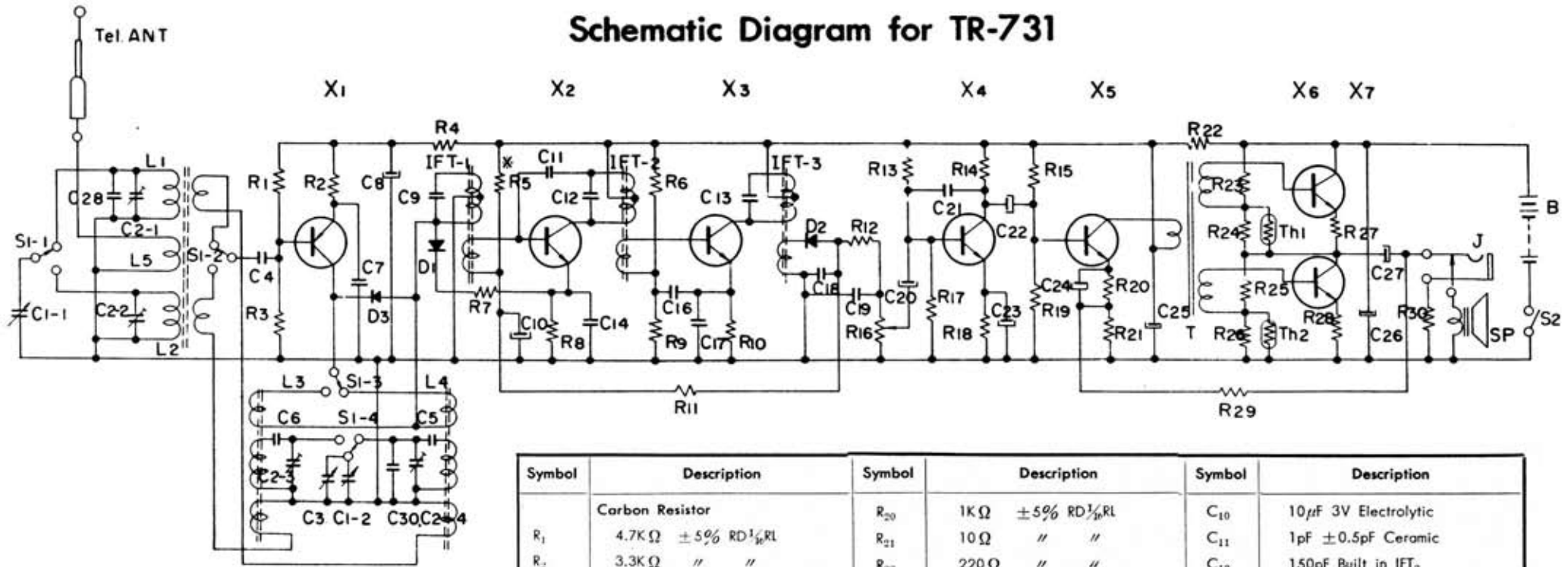


Schematic Diagram for TR-731



Symbol	Description	Symbol	Description	Symbol	Description
Carbon Resistor					
R ₁	4.7K Ω ±5% RD ¹ / ₁₀ RL	R ₂₀	1K Ω ±5% RD ¹ / ₁₀ RL	C ₁₀	10 μF 3V Electrolytic
R ₂	3.3K Ω " "	R ₂₁	10 Ω " "	C ₁₁	1pF ±0.5pF Ceramic
R ₃	18K Ω ±5% RD ¹ / ₁₀ RL	R ₂₂	220 Ω " "	C ₁₂	150pF Built in IFT ₂
R ₄	5.6K Ω " "	R ₂₃	3.3K Ω " "	C ₁₃	150pF Built in IFT ₃
*R ₅	140K Ω " "	R ₂₄	220 Ω Built in Th ₁	C ₁₄	0.02 μF ±5% Ceramic
R ₆	36K Ω " "	R ₂₅	3.3K Ω ±5% RD ¹ / ₁₀ RL	C ₁₅	—deleted—
R ₇	2.2K Ω " "	R ₂₆	220 Ω Built in Th ₂	C ₁₆	0.01 μF ±5% Ceramic
R ₈	470 Ω " "	R ₂₇	3 Ω ±5% RD ¹ / ₁₀ RL	C ₁₇	0.04 μF " "
R ₉	3.3K Ω " "	R ₂₈	3 Ω " "	C ₁₈	0.02 μF " "
R ₁₀	470 Ω " "	R ₂₉	1K Ω " "	C ₁₉	0.01 μF " "
R ₁₁	5.6K Ω " "	R ₃₀	42 Ω " "	C ₂₀	0.3 μF 6V Electrolytic (Alox)
R ₁₂	470 Ω " "	Capacitor		C ₂₁	0.005 μF ±5% Ceramic
R ₁₃	39K Ω " "	C ₁	PVC Tuning Capacitor, 2 gang	C ₂₂	0.3 μF 6V Electrolytic (Alox)
R ₁₄	2.2K Ω " "	C ₂	Trimmer Capacitor, 4 unit	C ₂₃	10 μF 3V Electrolytic
R ₁₅	36K Ω " "	C ₃	Fine Tuning Capacitor	C ₂₄	10 μF 3V " "
R ₁₆	Volume Control 5K Ω	C ₄	0.01 μF ±5% Ceramic	C ₂₅	30 μF 10V " "
R ₁₇	8.2K Ω ±5% RD ¹ / ₁₀ RL	C ₅	330pF ±5% Styrol	C ₂₆	30 μF 10V " "
R ₁₈	1.5K Ω " "	C ₆	2000pF " "	C ₂₇	30 μF 10V " "
R ₁₉	10K Ω " "	C ₇	0.002 μF ±5% Mylar	C ₂₈	5pF ±0.5pF Ceramic
		C ₈	100 μF 6V Electrolytic	C ₂₉	—deleted—
		C ₉	150pF Built in IFT ₁	C ₃₀	12pF ±10% Ceramic