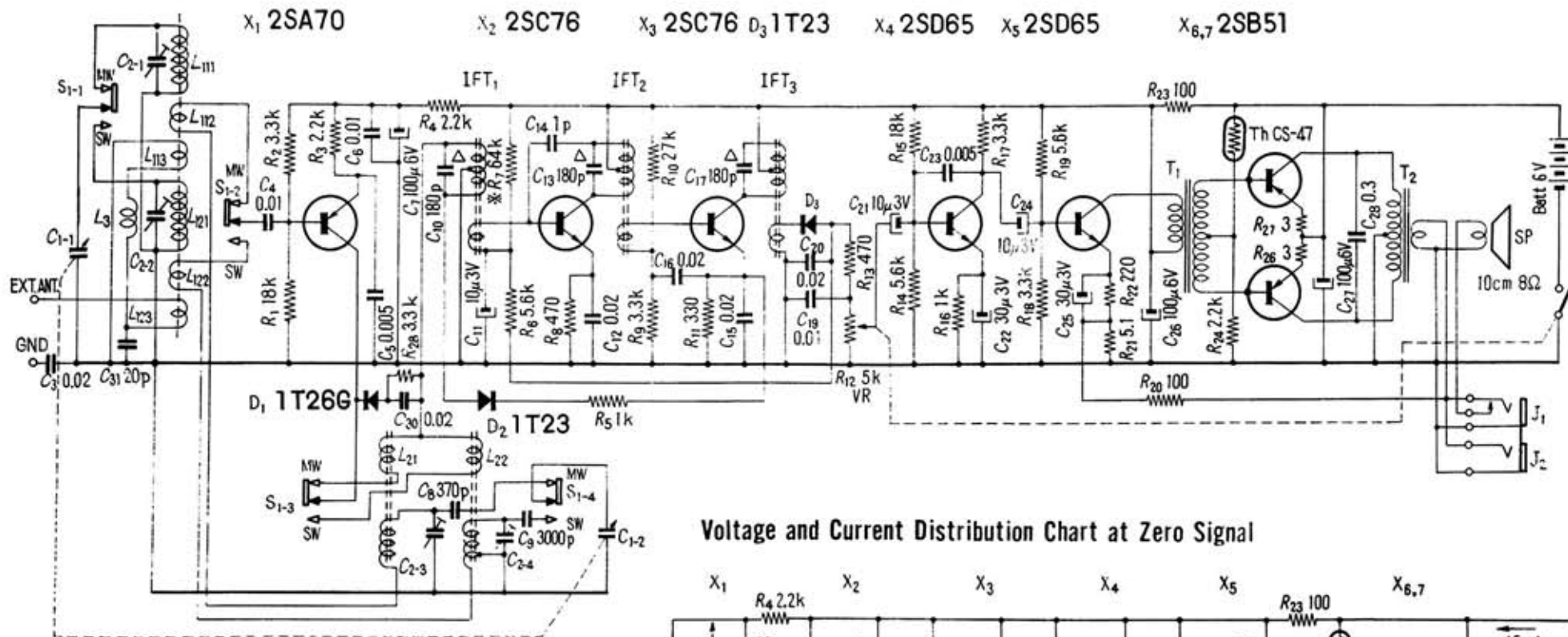
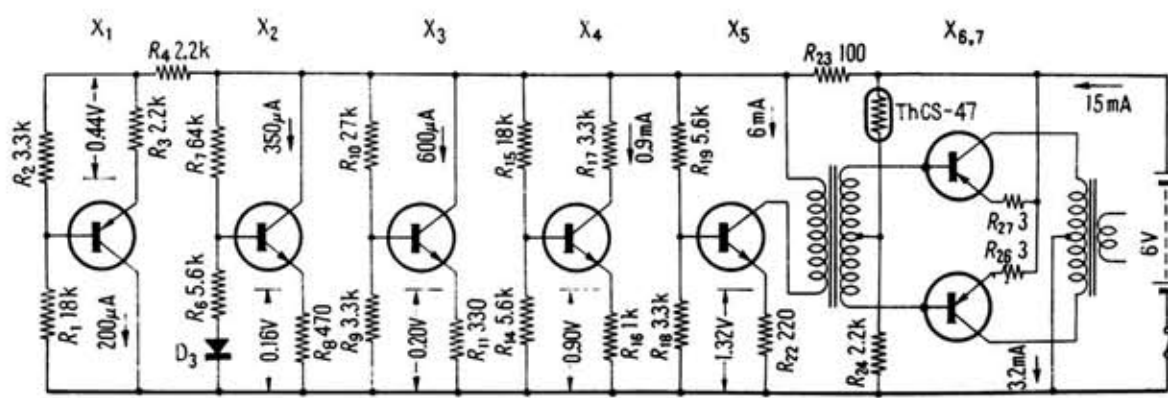


SONY TR-732



Voltage and Current Distribution Chart at Zero Signal



- ⊗ ⊗ ---- To be adjusted
- ⊙ Δ ---- Built in IF Transformers