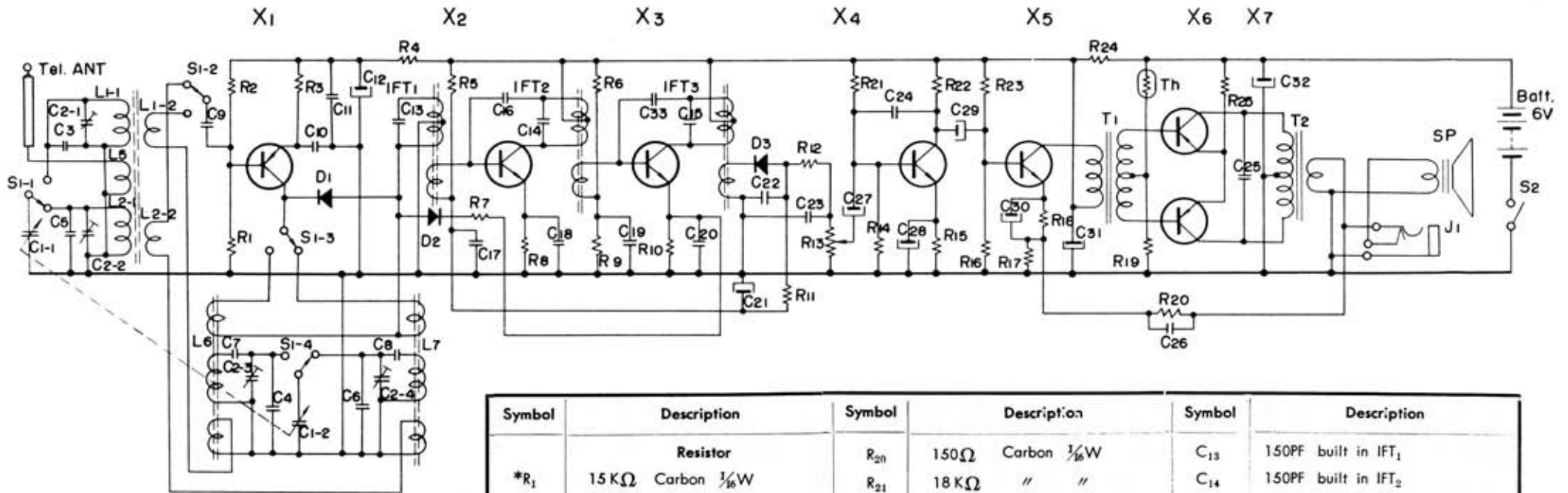


SONY TR-733



Symbol	Description	Symbol	Description	Symbol	Description
Resistor					
*R ₁	15 K Ω Carbon $\frac{1}{16}$ W	R ₂₀	150 Ω Carbon $\frac{1}{16}$ W	C ₁₃	150PF built in IFT ₁
R ₂	8.2 K Ω Carbon $\frac{3}{8}$ W	R ₂₁	18 K Ω " "	C ₁₄	150PF built in IFT ₂
R ₃	4.2 K Ω " $\frac{1}{16}$ W	R ₂₂	1.2 K Ω " "	C ₁₅	150PF built in IFT ₃
R ₄	2.2 K Ω " "	R ₂₃	18 K Ω " "	C ₁₆	1PF Ceramic
*R ₅	68 K Ω " "	R ₂₄	220 Ω " "	C ₁₇	0.02 μ F "
R ₆	16 K Ω " "	R ₂₅	5.1 Ω " "	C ₁₈	0.02 μ F "
R ₇	620 Ω " "	Capacitor			
R ₈	470 Ω " "	C ₁	Tuning Capacitor, 2 gang	C ₁₉	0.02 μ F "
R ₉	1.2 K Ω " "	C ₂	Trimmer-Capacitor, 4 unit	C ₂₀	0.04 μ F Mylar
R ₁₀	150 Ω " "	C ₃	5PF Ceramic	C ₂₁	10 μ F 6V Electrolytic
R ₁₁	5.6 K Ω " "	C ₄	5PF Ceramic	C ₂₂	0.01 μ F Mylar
R ₁₂	470 Ω " "	C ₅	10PF "	C ₂₃	0.01 μ F "
R ₁₃	5 K Ω Volume Control	C ₆	12PF "	C ₂₄	0.005 μ F "
R ₁₄	4.2 K Ω Carbon $\frac{1}{16}$ W	C ₇	2,000PF Styrol	C ₂₅	0.05 μ F "
R ₁₅	750 Ω " "	C ₈	300PF "	C ₂₆	0.02 μ F "
R ₁₆	2.2 K Ω " "	C ₉	0.01 μ F Mylar	C ₂₇	10 μ F 6V Electrolytic
R ₁₇	5.1 Ω " "	C ₁₀	0.01 μ F "	C ₂₈	30 μ F 6V "
R ₁₈	220 Ω " "	C ₁₁	0.02 μ F "	C ₂₉	10 μ F 6V "
R ₁₉	5.6 K Ω " "	C ₁₂	50 μ F 6V Electrolytic	C ₃₀	50 μ F 3V "
				C ₃₁	80 μ F 6V "
				C ₃₂	80 μ F 6V "