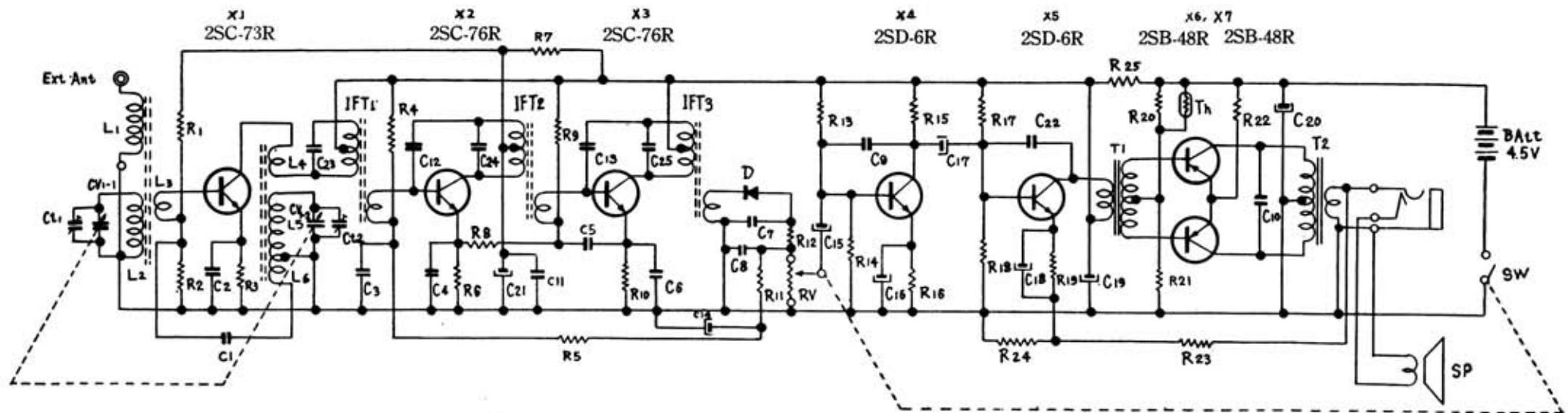


SONY TR-750



Symbol	Nomenclature	Description	Symbol	Nomenclature	Description	Symbol	Nomenclature	Description
R 1	Carbon Resistor	RD 1/4L 6.8k Ω	R19	Carbon Resistor	" 220 Ω	C10	Capacitor	0.1 μ F
R 2	" "	" 100k Ω	R20	" "	" 220 Ω	C11	"	0.01 μ F
R 3	" "	" 5.6k Ω	R21	" "	" 3.3k Ω	C12	"	2 PF
R 4	" "	" 51 k Ω	R22	" "	" 5.1 Ω	C13	"	1 PF
R 5	" "	" 2.2k Ω	R23	" "	" 220 Ω	C14	"	10 μ F 3V Electrolytic
R 6	" "	" 330 Ω	R24	" "	" 5.1 Ω	C15	"	30 μ F 6V "
R 7	" "	" 5.6k Ω	R25	" "	" 220 Ω	C16	"	50 μ F 3V "
R 8	" "	" 8.2k Ω	RV	Potentiometer	5 Ω	C17	"	30 μ F 6V "
R 9	" "	" 47 k Ω	C 1	Capacitor	0.01 μ F	C18	"	50 μ F 3V "
R10	" "	" 330 Ω	C 2	"	0.005 μ F $\begin{matrix} +30\% \\ -20\% \end{matrix}$ Mylar	C19	"	100 μ F 6V "
R11	" "	" 3.3k Ω	C 3	"	0.05 μ F	C20	"	100 μ F 6V "
R12	" "	" 470 Ω	C 4	"	0.05 μ F	C21	"	10 μ F 6V "
R13	" "	" 6.2k Ω	C 5	"	0.05 μ F	C22	"	0.002 μ F $\begin{matrix} +30\% \\ -20\% \end{matrix}$ Mylar
R14	" "	" 2.2k Ω	C 6	"	0.05 μ F	C23	"	Built in IFT 1
R15	" "	" 620 Ω	C 7	"	0.02 μ F	C24	"	" " IFT 2
R16	" "	" 820 Ω	C 8	"	0.01 μ F	C25	"	" " IFT 3
R17	" "	" 6.8k Ω	C 9	"	0.005 μ F $\begin{matrix} +30\% \\ -20\% \end{matrix}$ Mylar			
R18	" "	" 3.3k Ω						