

# SONY TR-752

X<sub>1</sub> 2SC73

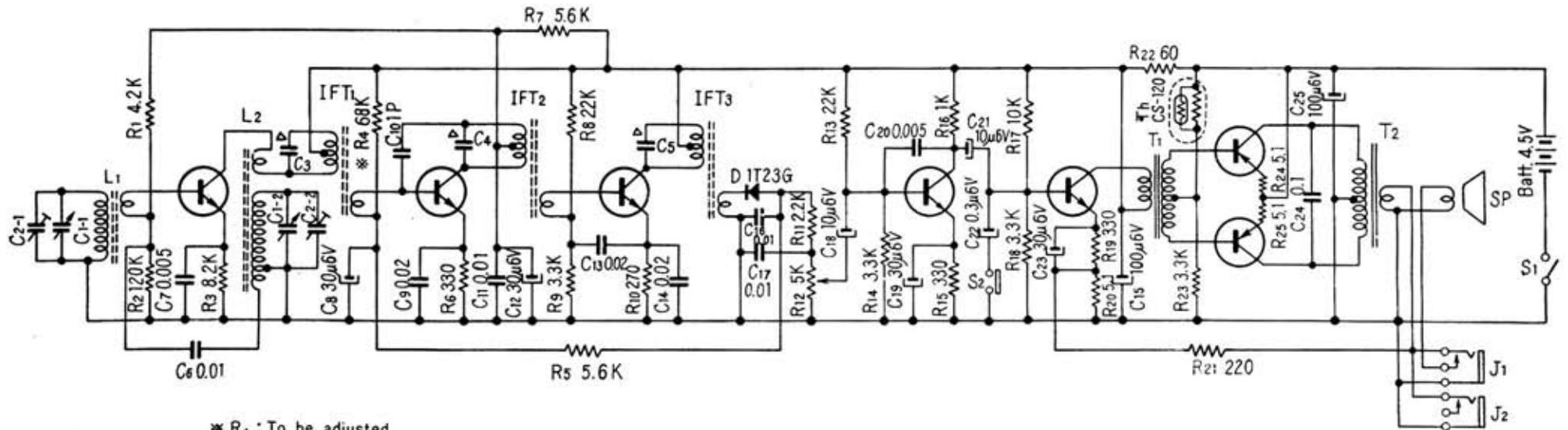
X<sub>2</sub> 2SC76

X<sub>3</sub> 2SC76

X<sub>4</sub> 2SD65

X<sub>5</sub> 2SD65

X<sub>6,7</sub> 2SB51



\* R<sub>4</sub>: To be adjusted

Capacitors marked with "Δ" are built in relative IF Transformers.

## Voltage and Current Distribution Chart at Zero Signal

