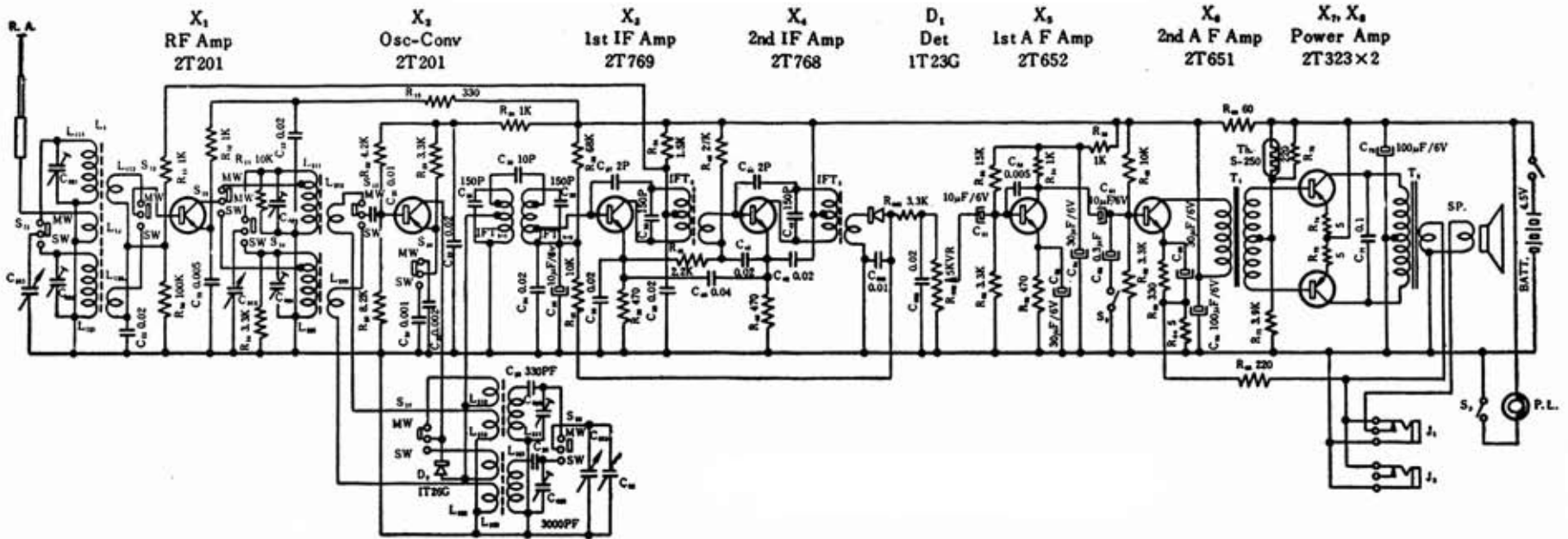
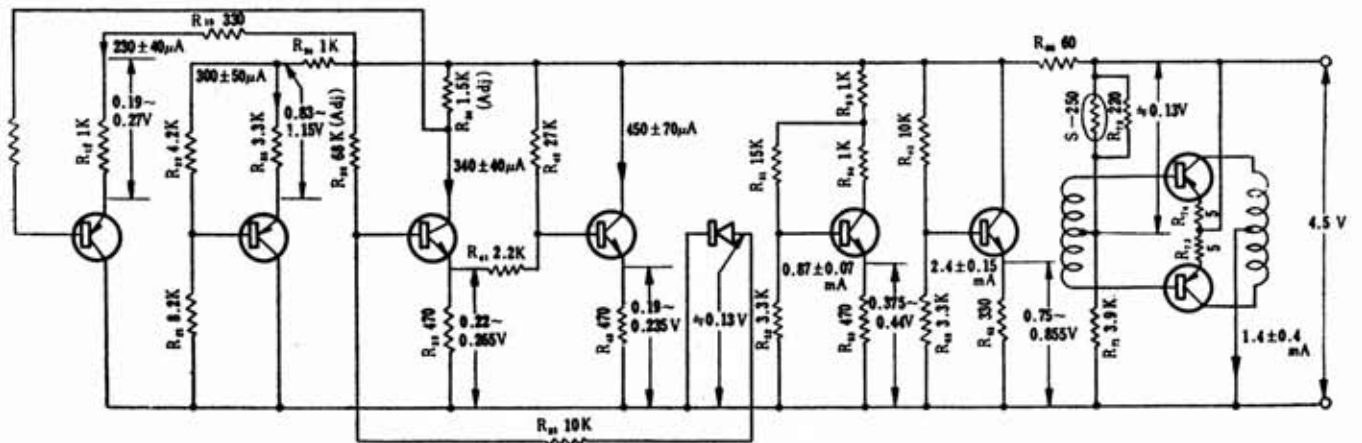


SONY TR-815B / TR-815Y



Current and voltage data points for TR-815B and TR-815Y

X ₁	X ₂	X ₃	X ₄	D ₁	X ₅	X ₆	X ₇ , X ₈
RF Amp	Conv	1st IF Amp	2nd IF Amp	Det	1st AF Amp	2nd AF Amp	Power Amp
2T 201	2T 201	2T 769	2T 768	1T 23G	2T 651	2T 651	2T 323x2



Local oscillator voltage : MW 0.09.....0.18volt (by VTVM)
 SW 0.07.....0.17volt
 at emitter of X₂