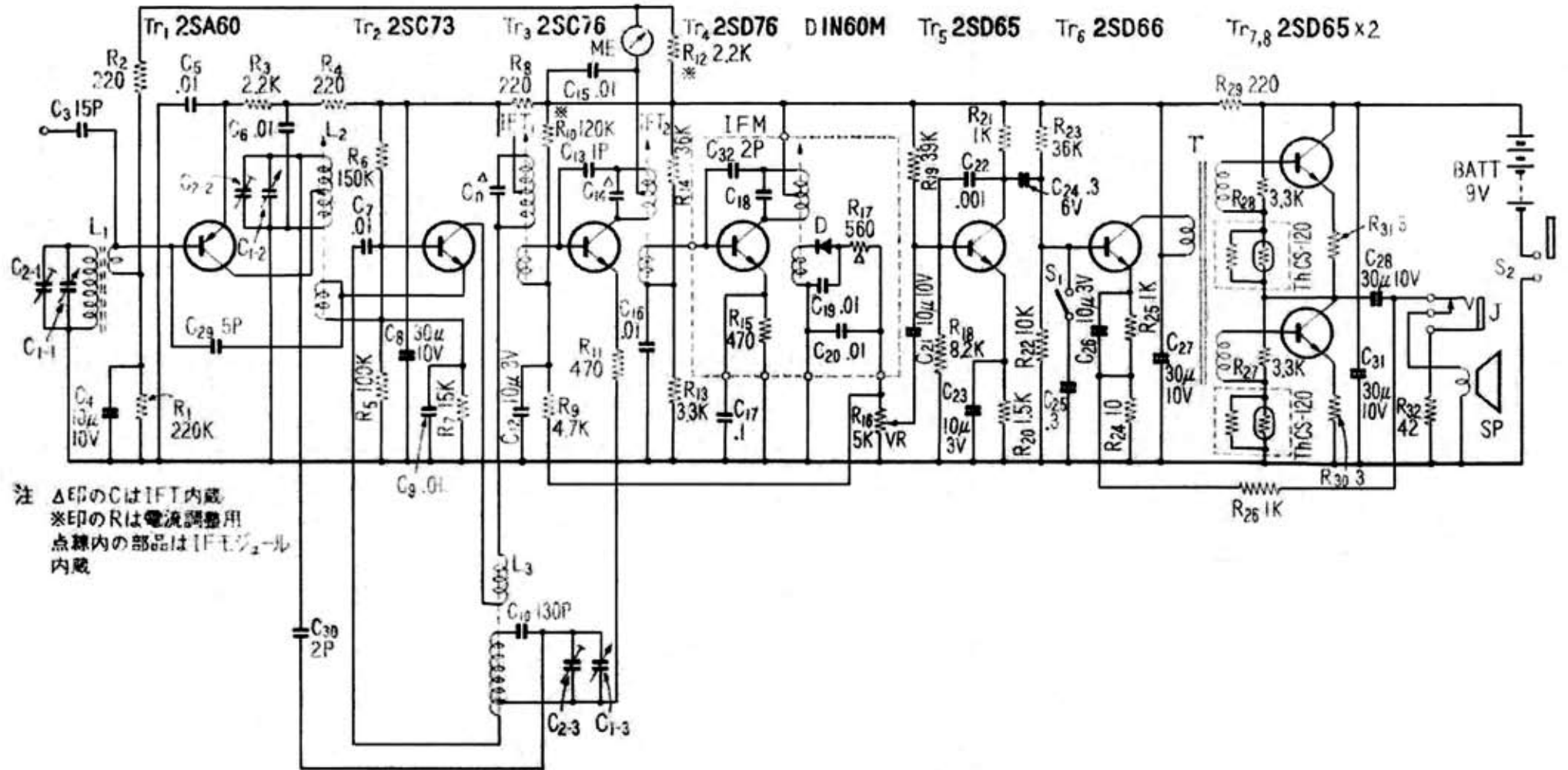
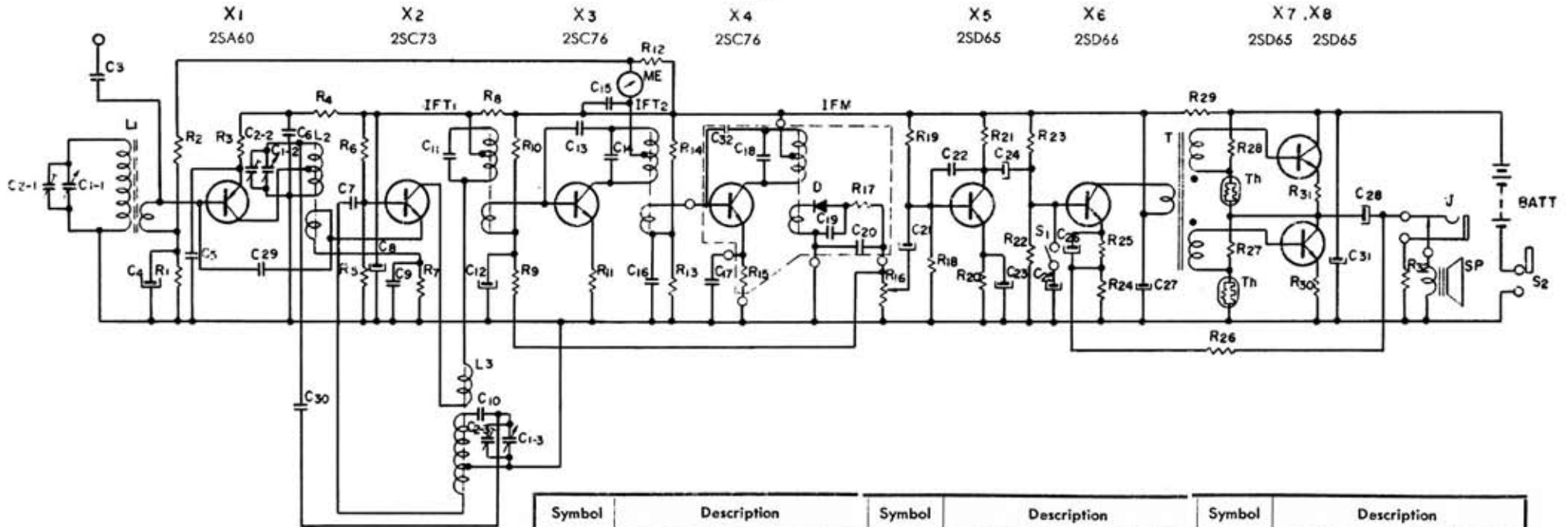


ソニー TR-817



Schematic Diagram for TR-817



Symbol	Description	Symbol	Description	Symbol	Description
R ₁	Carbon Resistor 220 K Ω RD $\frac{1}{16}$ RL $\pm 5\%$	R ₂₀	1.5 K Ω RD $\frac{1}{16}$ RL $\pm 5\%$	C ₁₀	130 pF $\pm 5\%$ Polystyrol
R ₂	220 Ω "	R ₂₁	1 K Ω "	C ₁₁	Built in IFT ₁
R ₃	2.2 K Ω "	R ₂₂	10 K Ω "	C ₁₂	10 μ F 3 V Electrolytic
R ₄	220 Ω "	R ₂₃	36 K Ω "	C ₁₃	1 pF ± 0.5 pf Ceramic
R ₅	100 K Ω "	R ₂₄	10 Ω "	C ₁₄	Built in IFT ₂
R ₆	150 K Ω "	R ₂₅	1 K Ω "	C ₁₅	0.01 μ F $\pm 100\%$ Ceramic (built in the 3rd IF & Det. Block)
R ₇	15 K Ω "	R ₂₆	1 K Ω "	C ₁₆	0.01 μ F $\pm 100\%$ Ceramic
R ₈	220 Ω "	R ₂₇	3.3 K Ω "	C ₁₇	0.1 μ F $\pm 30\%$ Mylar
R ₉	4.7 K Ω "	R ₂₈	3.3 K Ω "	C ₁₈	Built-in the 3rd IF & Det. Block
R ₁₀	120 K Ω "	R ₂₉	220 Ω "	C ₁₉	"
R ₁₁	470 Ω "	R ₃₀	3 Ω "	C ₂₀	"
R ₁₂	2.2 K Ω "	R ₃₁	3 Ω "	C ₂₁	10 μ F 10 V Electrolytic
R ₁₃	3.3 K Ω "	R ₃₂	42 Ω "	C ₂₂	0.001 μ F $\pm 100\%$ Ceramic
R ₁₄	36 K Ω "	C ₁₋₁₋₃	Tuning Capacitor, 3 gang	C ₂₃	10 μ F 3 V Electrolytic
R ₁₅	470 Ω "	C ₂₋₁₋₃	Trimmer Capacitor	C ₂₄	0.3 μ F 6 V " (Alox Type)
R ₁₆	5 K Ω Volume Control	C ₃	150 pF ± 0.5 pf Ceramic	C ₂₅	0.3 μ F 15 V "
R ₁₇	Carbon Resistor 560 Ω (built-in the 3rd IF & Det. Block)	C ₄	10 μ F 10 V Electrolytic	C ₂₆	10 μ F 3 V "
R ₁₈	8.2 K Ω RD $\frac{1}{16}$ RL $\pm 5\%$	C ₅	0.01 μ F $\pm 100\%$ Ceramic	C ₂₇	30 μ F 10 V "
R ₁₉	39 K Ω RD $\frac{1}{16}$ RL $\pm 5\%$	C ₆	0.01 μ F " "	C ₂₈	30 μ F 10 V "
		C ₇	0.01 μ F " "	C ₂₉	5 pF ± 0.5 pf Ceramic
		C ₈	30 μ F 10 V Electrolytic	C ₃₀	2 pF ± 0.5 pf "
		C ₉	0.01 μ F $\pm 100\%$ Ceramic	C ₃₁	30 μ F 10 V Electrolytic