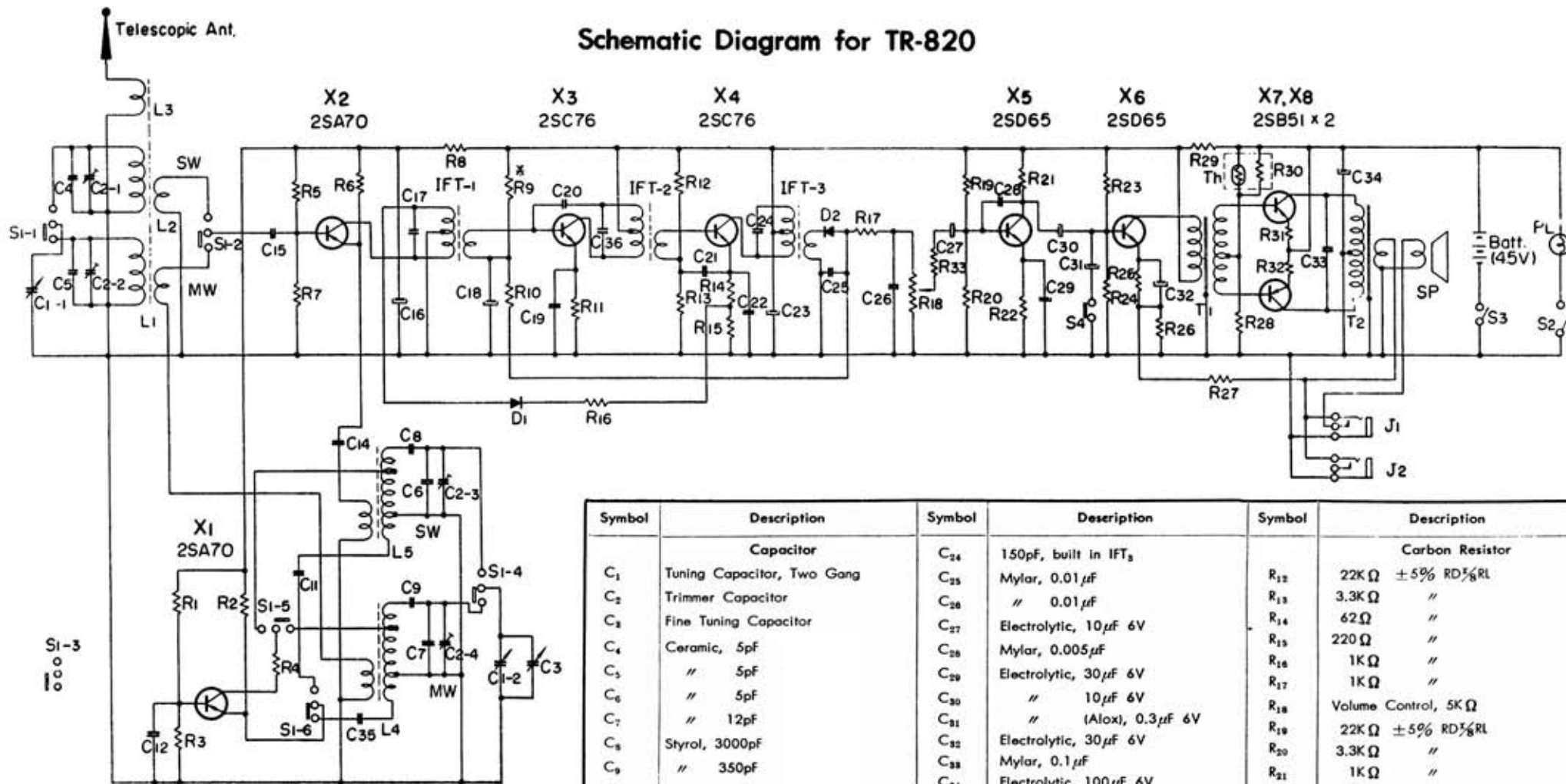


Schematic Diagram for TR-820



Symbol	Description	Symbol	Description	Symbol	Description
Capacitor			Carbon Resistor		
C ₁	Tuning Capacitor, Two Gang	C ₂₄	150pF, built in IFT ₃	R ₁₂	22K Ω ±5% RD ³ / ₈ RL
C ₂	Trimmer Capacitor	C ₂₅	Mylar, 0.01 μF	R ₁₃	3.3K Ω "
C ₃	Fine Tuning Capacitor	C ₂₆	" 0.01 μF	R ₁₄	62 Ω "
C ₄	Ceramic, 5pF	C ₂₇	Electrolytic, 10 μF 6V	R ₁₅	220 Ω "
C ₅	" 5pF	C ₂₈	Mylar, 0.005 μF	R ₁₆	1K Ω "
C ₆	" 5pF	C ₂₉	Electrolytic, 30 μF 6V	R ₁₇	1K Ω "
C ₇	" 12pF	C ₃₀	" 10 μF 6V	R ₁₈	Volume Control, 5K Ω
C ₈	Styrol, 3000pF	C ₃₁	" (Alox), 0.3 μF 6V	R ₁₉	22K Ω ±5% RD ³ / ₈ RL
C ₉	" 350pF	C ₃₂	Electrolytic, 30 μF 6V	R ₂₀	3.3K Ω "
C ₁₀	—deleted—	C ₃₃	Mylar, 0.1 μF	R ₂₁	1K Ω "
C ₁₁	Ceramic, 400pF	C ₃₄	Electrolytic, 100 μF 6V	R ₂₂	330 Ω "
C ₁₂	Ceramic, 0.02 μF	C ₃₅	Ceramic, 0.005 μF	R ₂₃	10K Ω "
C ₁₃	—deleted—	C ₃₆	150pF, built in IFT ₂	R ₂₄	3.3K Ω "
C ₁₄	Mylar 0.005 μF	Carbon Resistor			
C ₁₅	" 0.01 μF	R ₁	3.3K Ω ±5% RD ³ / ₈ RL	R ₂₅	330 Ω "
C ₁₆	Electrolytic, 30 μF 6V	R ₂	1K Ω "	R ₂₆	5.1 Ω "
C ₁₇	150pF, built in IFT ₁	R ₃	10K Ω "	R ₂₇	220 Ω "
C ₁₈	Electrolytic, 30 μF 6V	R ₄	1K Ω "	R ₂₈	3.9K Ω "
C ₁₉	Mylar, 0.02 μF	R ₅	4.7K Ω "	R ₂₉	62 Ω "
C ₂₀	Ceramic, 1pF	R ₆	1.5K Ω "	R ₃₀	220 Ω, built in Th
C ₂₁	Mylar, 0.02 μF	R ₇	27K Ω "	R ₃₁	5.1 Ω ±5% RD ³ / ₈ RL
C ₂₂	" 0.02 μF	R ₈	330 Ω "	R ₃₂	5.1 Ω "
C ₂₃	Electrolytic, 100 μF 6V	R ₉ *	43K Ω "	Composition Resistor	
		R ₁₀	3.3K Ω "	R ₃₃	470 Ω ±1% RC ³ / ₈
		R ₁₁	330 Ω "		