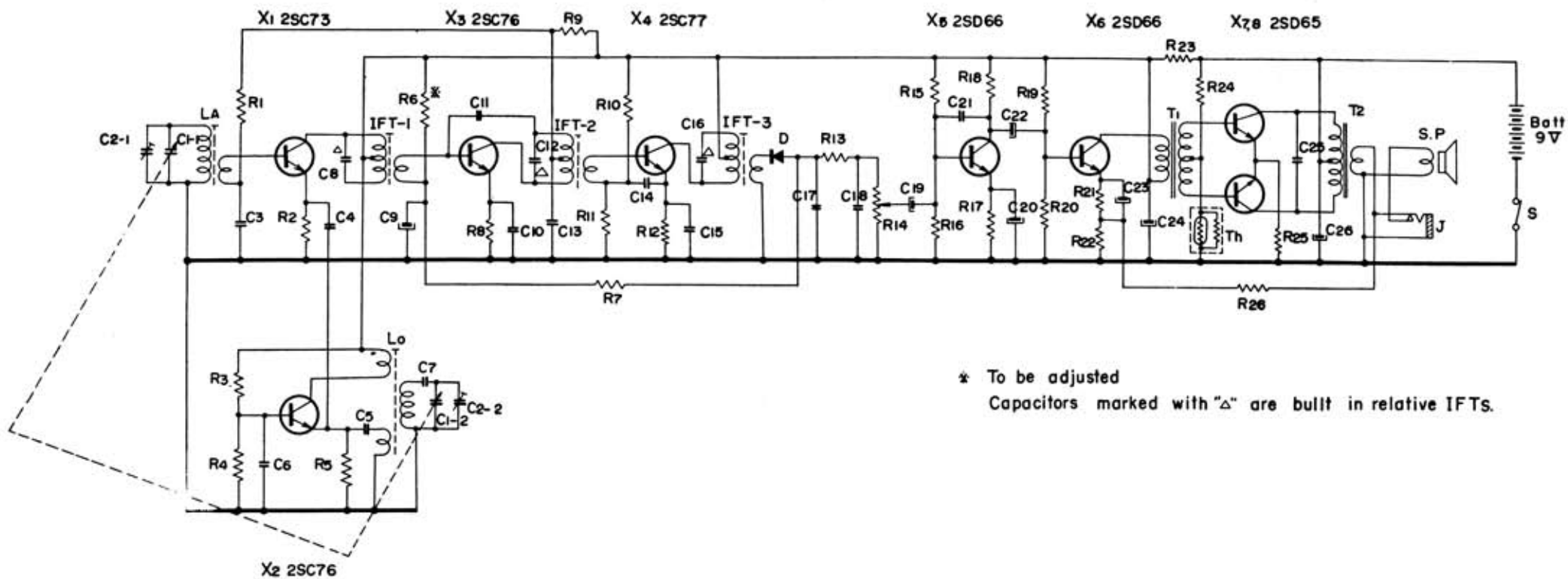


SONY TR-826



* To be adjusted
 Capacitors marked with "Δ" are built in relative IFTs.

SONY TR-826

Part No.	Symbol	Description	Part No.	Symbol	Description	Part No.	Symbol	Description
1-401-173-11	LA	Ferrite Bar Antenna	1-203-425-00	R ₄	5.6KΩ 1/16W Carbon	1-151-051-00	C ₂₋₁₋₂	Trimmer Capacitor, 2 unit
1-405-095-11	Lo	Oscillator Coil	1-203-446-00	R ₅	2KΩ " "	1-101-073-15	C ₃	0.02μF Ceramic
1-403-057-02	IFT ₁	IF Transformer	1-203-614-00	*R ₆	100KΩ " "	1-105-104-11	C ₄	0.002μF Mylar
1-403-058-02	IFT ₂	"	1-203-425-00	R ₇	5.6KΩ " "	1-105-104-11	C ₅	0.002μF "
1-403-059-02	IFT ₃	"	1-203-420-00	R ₈	470Ω " "	1-101-072-15	C ₆	0.01μF Ceramic
1-423-066-11	T ₁	Driver Transformer	1-203-427-00	R ₉	10KΩ " "	1-103-024-11	C ₇	130PF Styrol
1-427-090-13	T ₂	Output Transformer	1-203-635-00	R ₁₀	39KΩ " "		C ₈	150PF (built in IFT ₁)
1-502-093-11	SP	Speaker	1-203-434-00	R ₁₁	3.3KΩ " "	1-121-103-05	C ₉	10μF 3V Electrolytic
1-507-011-00	J	Earphone Jack	1-203-420-00	R ₁₂	470Ω " "	1-101-073-15	C ₁₀	0.02μF Ceramic
1-528-006-00	Batt.	Battery (9 V)	1-203-421-00	R ₁₃	1KΩ " "	1-101-009-11	C ₁₁	1PF "
	X ₁	Transistor 2SC73	1-221-130-11	R ₁₄	5KΩ Volume Control		C ₁₂	150PF (built in IFT ₂)
	X ₂	" 2SC76	1-203-593-00	R ₁₅	36KΩ 1/16W Carbon	1-101-072-15	C ₁₃	0.01μF Ceramic
	X ₃	" 2SC76	1-203-425-00	R ₁₆	5.6KΩ " "	1-101-072-15	C ₁₄	0.01μF "
	X ₄	" 2SC77	1-203-421-00	R ₁₇	1KΩ " "	1-101-072-15	C ₁₅	0.01μF "
	X ₅	" 2SD66	1-203-421-00	R ₁₈	1KΩ " "		C ₁₆	150PF (built in IFT ₃)
	X ₆	" 2SD66	1-203-428-00	R ₁₉	27KΩ " "	1-101-072-15	C ₁₇	0.01μF Ceramic
	X ₇	" 2SD65	1-203-427-00	R ₂₀	10KΩ " "	1-101-072-15	C ₁₈	0.01μF "
	X ₈	" 2SD65	1-203-421-00	R ₂₁	1KΩ " "	1-121-103-05	C ₁₉	10μF 3V Electrolytic
	D	Diode 1T23G	1-203-418-00	R ₂₂	10Ω " "	1-121-103-05	C ₂₀	10μF 3V "
	Th	Thermistor CS-120	1-203-419-00	R ₂₃	220Ω " "	1-101-140-14	C ₂₁	0.005μF Ceramic
		Resistor	1-203-426-00	R ₂₄	7.5KΩ " "	1-121-104-05	C ₂₂	10μF 6V Electrolytic
1-203-427-00	R ₁	10KΩ 1/16W Carbon	1-203-418-00	R ₂₅	10Ω " "	1-121-101-05	C ₂₃	30μF 3V "
1-203-631-00	R ₂	20KΩ " "	1-203-610-00	R ₂₆	680Ω " "	1-121-110-05	C ₂₄	30μF 10V "
1-203-635-00	R ₃	39KΩ " "			Capacitor	1-101-073-15	C ₂₅	0.02μF Ceramic
			1-151-051-00	C ₁₋₁₋₂	Tuning Capacitor, 2 gang	1-121-110-05	C ₂₆	30μF 10V Electrolytic

* To be adjusted