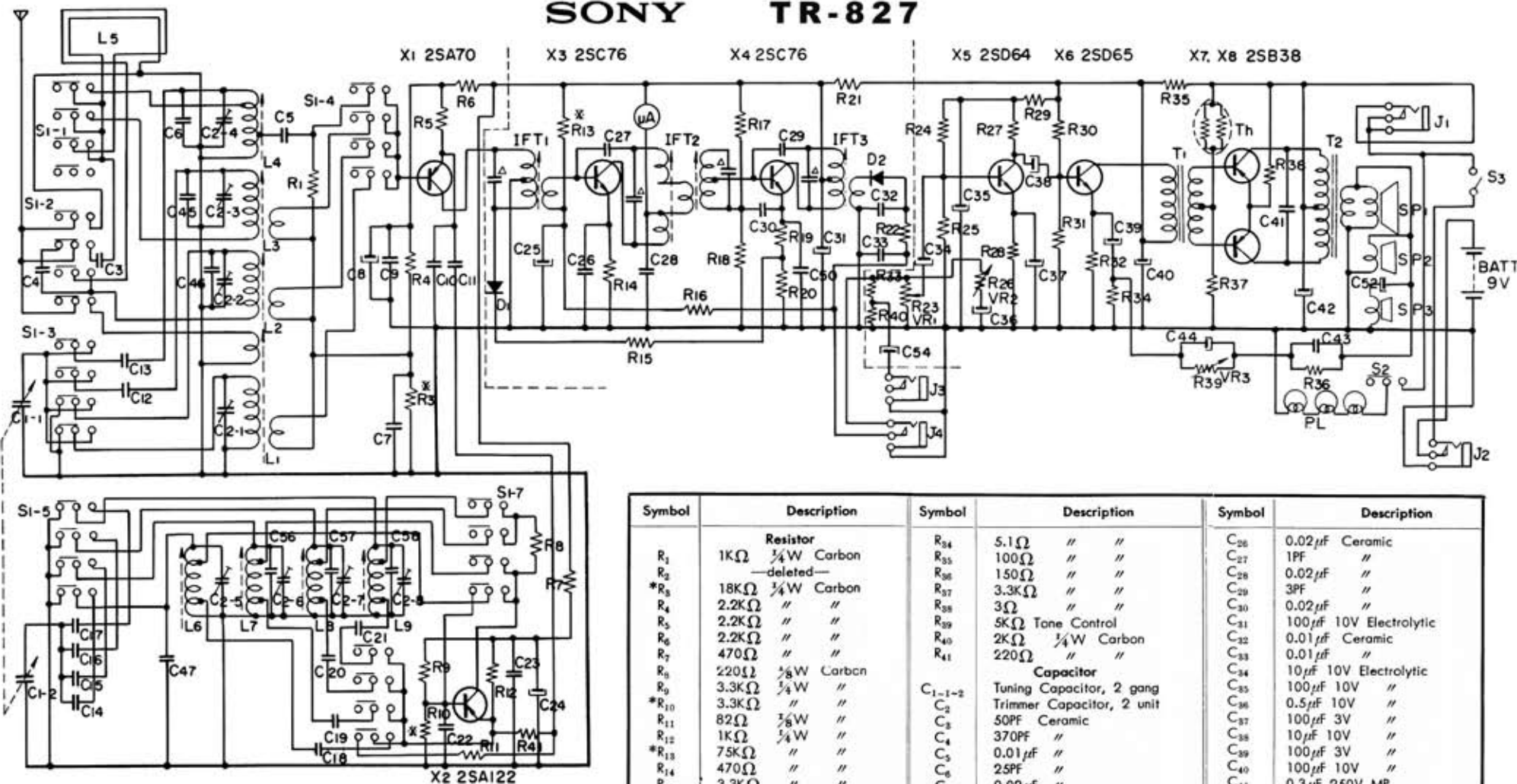


# SONY TR-827



Symbol	Description	Symbol	Description	Symbol	Description
R <sub>1</sub>	1KΩ 1/4 W Carbon	R <sub>34</sub>	5.1Ω " "	C <sub>26</sub>	0.02μf Ceramic
R <sub>2</sub>	—deleted—	R <sub>35</sub>	100Ω " "	C <sub>27</sub>	1PF " "
*R <sub>3</sub>	18KΩ 1/4 W Carbon	R <sub>36</sub>	150Ω " "	C <sub>28</sub>	0.02μf " "
R <sub>4</sub>	2.2KΩ " "	R <sub>37</sub>	3.3KΩ " "	C <sub>29</sub>	3PF " "
R <sub>5</sub>	2.2KΩ " "	R <sub>38</sub>	3Ω " "	C <sub>30</sub>	0.02μf " "
R <sub>6</sub>	2.2KΩ " "	R <sub>39</sub>	5KΩ Tone Control	C <sub>31</sub>	100μf 10V Electrolytic
R <sub>7</sub>	470Ω " "	R <sub>40</sub>	2KΩ 1/4 W Carbon	C <sub>32</sub>	0.01μf Ceramic
R <sub>8</sub>	220Ω 1/8 W Carbon	R <sub>41</sub>	220Ω " "	C <sub>33</sub>	0.01μf " "
R <sub>9</sub>	3.3KΩ 1/4 W " "	<b>Capacitor</b>		C <sub>34</sub>	10μf 10V Electrolytic
*R <sub>10</sub>	3.3KΩ " "	C <sub>1-2</sub>	Tuning Capacitor, 2 gang	C <sub>35</sub>	100μf 10V " "
R <sub>11</sub>	82Ω 1/8 W " "	C <sub>2</sub>	Trimmer Capacitor, 2 unit	C <sub>36</sub>	0.5μf 10V " "
R <sub>12</sub>	1KΩ 1/4 W " "	C <sub>3</sub>	50PF Ceramic	C <sub>37</sub>	100μf 3V " "
*R <sub>13</sub>	75KΩ " "	C <sub>4</sub>	370PF " "	C <sub>38</sub>	10μf 10V " "
R <sub>14</sub>	470Ω " "	C <sub>5</sub>	0.01μf " "	C <sub>39</sub>	100μf 3V " "
R <sub>15</sub>	3.3KΩ " "	C <sub>6</sub>	25PF " "	C <sub>40</sub>	100μf 10V " "
R <sub>16</sub>	5.6KΩ " "	C <sub>7</sub>	0.02μf " "	C <sub>41</sub>	0.3μf 250V MP
R <sub>17</sub>	22KΩ " "	C <sub>8</sub>	100μf 6V Electrolytic	C <sub>42</sub>	100μf 10V Electrolytic
R <sub>18</sub>	3.3KΩ " "	C <sub>9</sub>	0.02μf Ceramic	C <sub>43</sub>	0.05μf Mylar
R <sub>19</sub>	62Ω " "	C <sub>10</sub>	50PF " "	C <sub>44</sub>	1μf 6V Electrolytic
R <sub>20</sub>	220Ω " "	C <sub>11</sub>	0.02μf " "	C <sub>45</sub>	5PF Ceramic
R <sub>21</sub>	1KΩ " "	C <sub>12</sub>	3400PF Styrol	C <sub>46</sub>	15PF " "
R <sub>22</sub>	470Ω " "	C <sub>13</sub>	370PF Styrol	C <sub>47</sub>	10PF " "
R <sub>23</sub>	5KΩ Volume Control	C <sub>14</sub>	430PF " "	C <sub>48</sub>	—deleted—
R <sub>24</sub>	15KΩ 1/4 W Carbon	C <sub>15</sub>	1400PF " "	C <sub>49</sub>	" "
R <sub>25</sub>	4.2KΩ " "	C <sub>16</sub>	1600PF " "	C <sub>50</sub>	0.02μf Ceramic
R <sub>26</sub>	5KΩ Tone Control	C <sub>17</sub>	370PF " "	C <sub>51</sub>	—deleted—
R <sub>27</sub>	2KΩ 1/4 W Carbon	C <sub>18</sub>	0.02μf Ceramic	C <sub>52</sub>	5μf 15V Electrolytic
R <sub>28</sub>	1KΩ " "	C <sub>19</sub>	0.01μf " "	C <sub>53</sub>	—deleted—
R <sub>29</sub>	560Ω " "	C <sub>20</sub>	600PF " "	C <sub>54</sub>	10μf 3V Electrolytic
R <sub>30</sub>	24KΩ " "	C <sub>21</sub>	100PF " "	C <sub>55</sub>	—deleted—
R <sub>31</sub>	3.3KΩ " "	C <sub>22</sub>	0.02μf " "	C <sub>56</sub>	15PF Ceramic
R <sub>32</sub>	330Ω " "	C <sub>23</sub>	0.02μf " "	C <sub>57</sub>	5PF " "
R <sub>33</sub>	20KΩ " "	C <sub>24</sub>	100μf 6V Electrolytic	C <sub>58</sub>	15PF " "
		C <sub>25</sub>	10μf 6V " "		