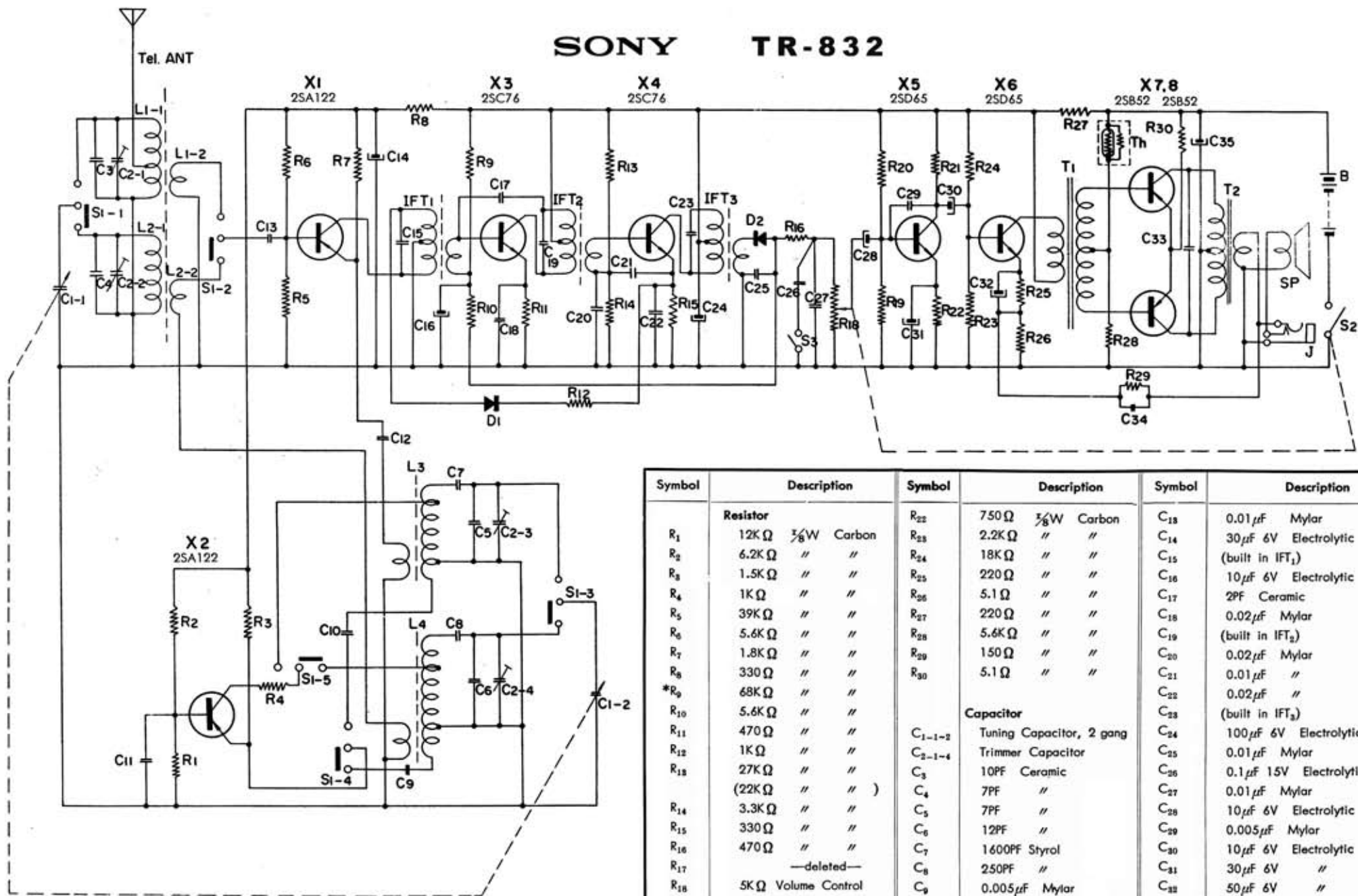


# SONY TR-832



Symbol	Description	Symbol	Description	Symbol	Description
<b>Resistor</b>					
R <sub>1</sub>	12K Ω 1/8W Carbon	R <sub>22</sub>	750 Ω 1/8W Carbon	C <sub>18</sub>	0.01 μF Mylar
R <sub>2</sub>	6.2K Ω " "	R <sub>23</sub>	2.2K Ω " "	C <sub>14</sub>	30 μF 6V Electrolytic
R <sub>3</sub>	1.5K Ω " "	R <sub>24</sub>	18K Ω " "	C <sub>15</sub>	(built in IFT <sub>1</sub> )
R <sub>4</sub>	1K Ω " "	R <sub>25</sub>	220 Ω " "	C <sub>16</sub>	10 μF 6V Electrolytic
R <sub>5</sub>	39K Ω " "	R <sub>26</sub>	5.1 Ω " "	C <sub>17</sub>	29F Ceramic
R <sub>6</sub>	5.6K Ω " "	R <sub>27</sub>	220 Ω " "	C <sub>18</sub>	0.02 μF Mylar
R <sub>7</sub>	1.8K Ω " "	R <sub>28</sub>	5.6K Ω " "	C <sub>19</sub>	(built in IFT <sub>2</sub> )
R <sub>8</sub>	330 Ω " "	R <sub>29</sub>	150 Ω " "	C <sub>20</sub>	0.02 μF Mylar
*R <sub>9</sub>	68K Ω " "	R <sub>30</sub>	5.1 Ω " "	C <sub>21</sub>	0.01 μF "
R <sub>10</sub>	5.6K Ω " "	<b>Capacitor</b>		C <sub>22</sub>	0.02 μF "
R <sub>11</sub>	470 Ω " "	C <sub>1-1-2</sub>	Tuning Capacitor, 2 gang	C <sub>23</sub>	(built in IFT <sub>3</sub> )
R <sub>12</sub>	1K Ω " "	C <sub>2-1-4</sub>	Trimmer Capacitor	C <sub>24</sub>	100 μF 6V Electrolytic
R <sub>13</sub>	27K Ω " "	C <sub>3</sub>	10PF Ceramic	C <sub>25</sub>	0.01 μF Mylar
R <sub>14</sub>	(22K Ω " " )	C <sub>4</sub>	7PF "	C <sub>26</sub>	0.1 μF 15V Electrolytic
R <sub>15</sub>	3.3K Ω " "	C <sub>5</sub>	7PF "	C <sub>27</sub>	0.01 μF Mylar
R <sub>16</sub>	330 Ω " "	C <sub>6</sub>	12PF "	C <sub>28</sub>	10 μF 6V Electrolytic
R <sub>17</sub>	470 Ω " "	C <sub>7</sub>	1600PF Styrol	C <sub>29</sub>	0.005 μF Mylar
R <sub>18</sub>	—deleted—	C <sub>8</sub>	250PF "	C <sub>30</sub>	10 μF 6V Electrolytic
R <sub>19</sub>	5K Ω Volume Control	C <sub>9</sub>	0.005 μF Mylar	C <sub>31</sub>	30 μF 6V "
R <sub>20</sub>	4.2K Ω 1/8W Carbon	C <sub>10</sub>	400PF Styrol	C <sub>32</sub>	50 μF 6V "
R <sub>21</sub>	1.2K Ω " "	C <sub>11</sub>	0.01 μF Mylar	C <sub>33</sub>	0.05 μF Mylar
		C <sub>12</sub>	0.005 μF "	C <sub>34</sub>	0.02 μF "
				C <sub>35</sub>	100 μF 6V Electrolytic