

SONY TR-837

X1 2SA70

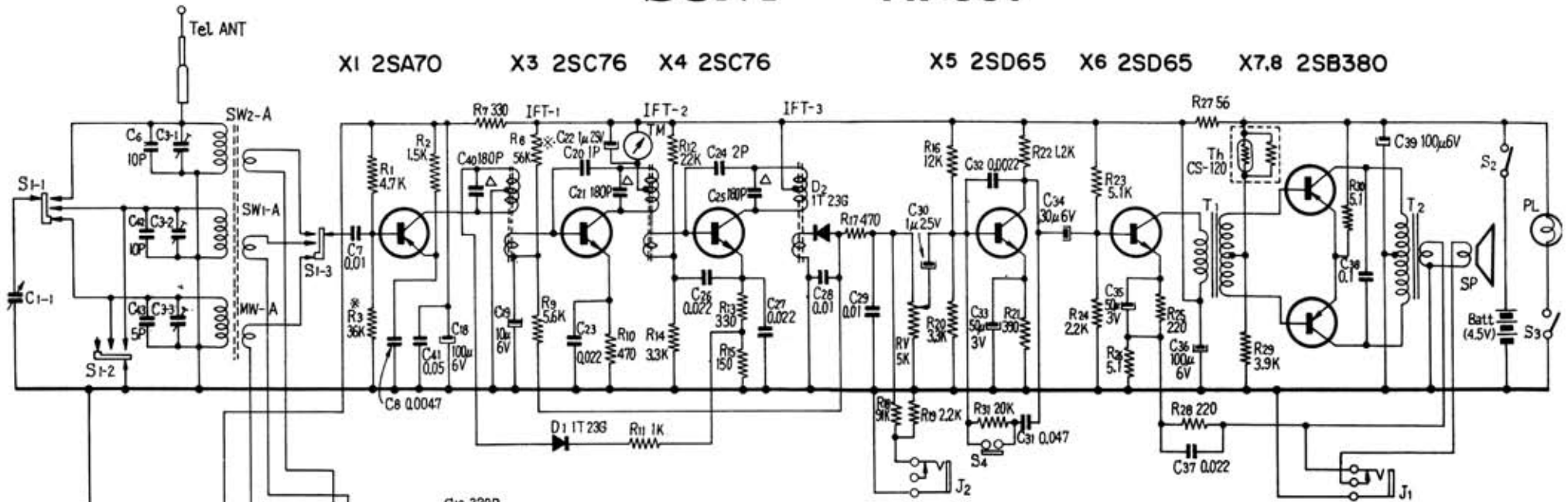
X3 2SC76

X4 2SC76

X5 2SD65

X6 2SD65

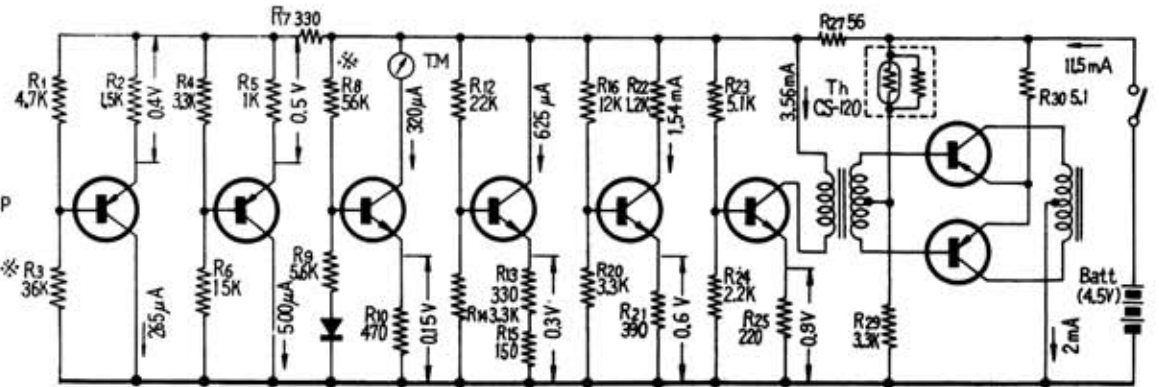
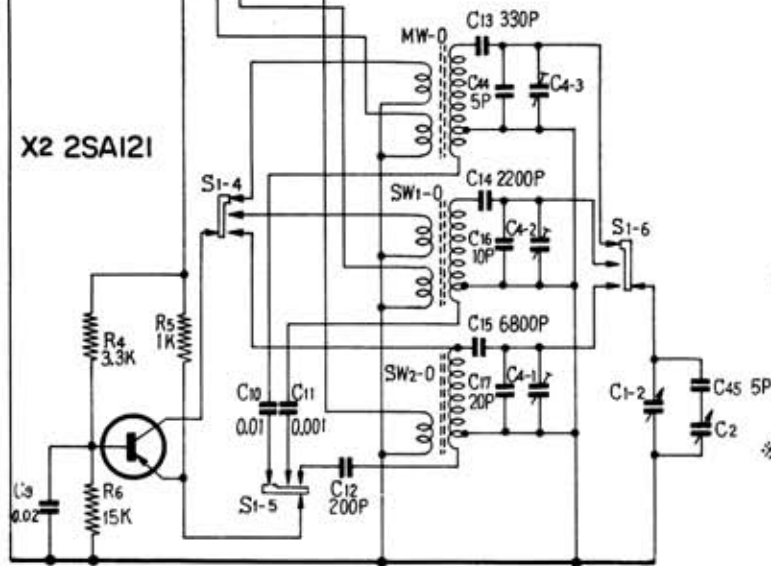
X7,8 2SB380



Voltage and Current Distribution Chart at Zero Signal

X2 2SA121

X1 X2 X3 X4 X5 X6 X7,8



* To be adjusted

Capacitors marked with Δ are relative IF Transformers.