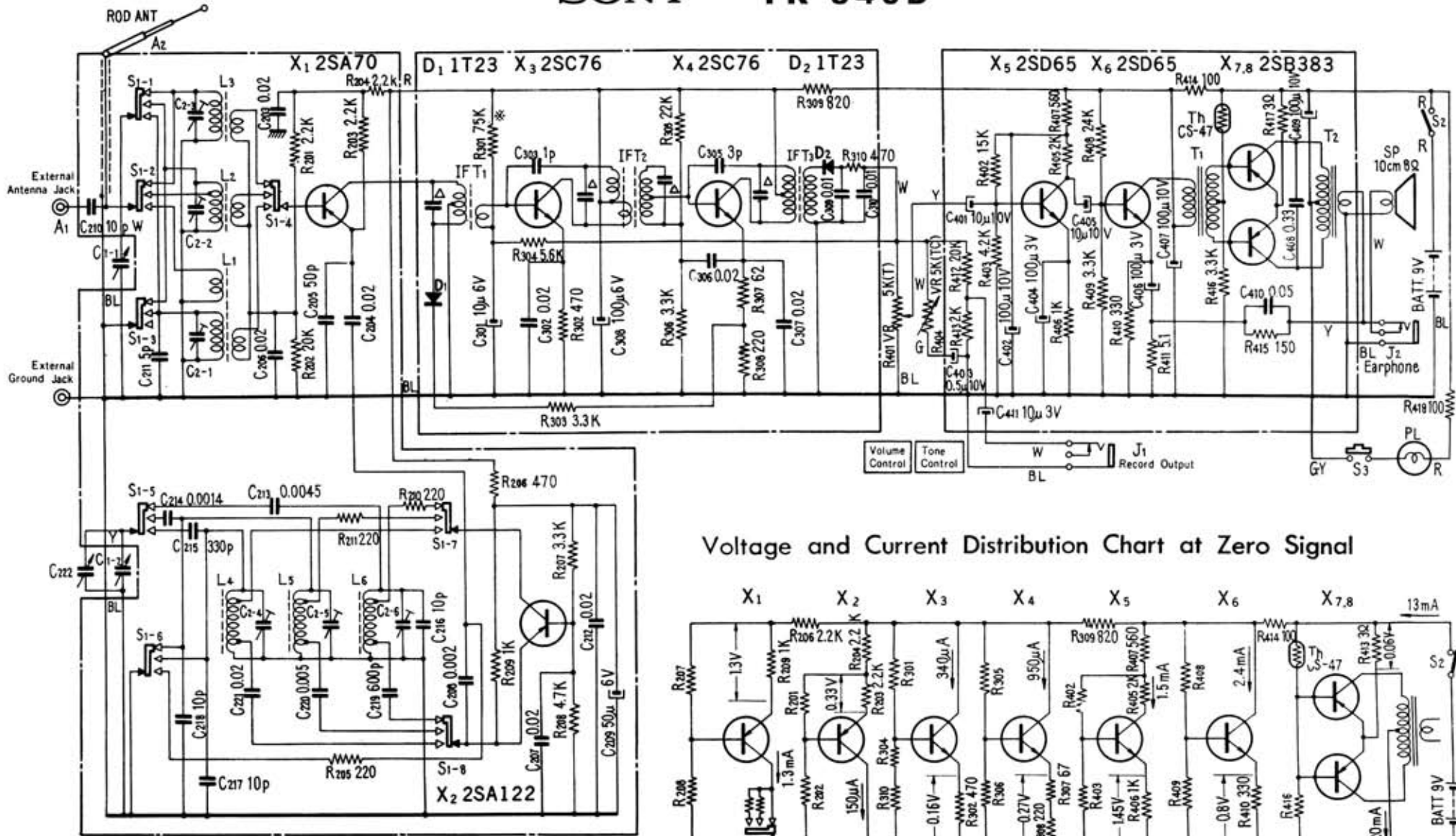
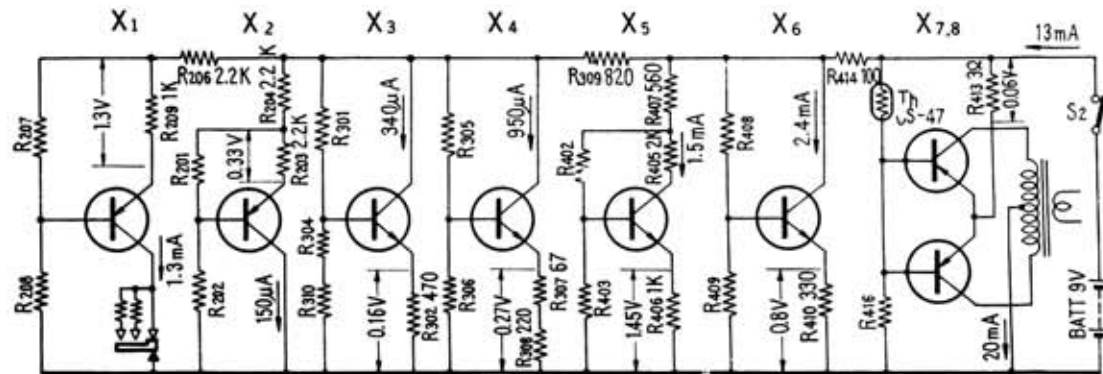


SONY TR-840D



Voltage and Current Distribution Chart at Zero Signal



- To be adjusted
- Built in IF Transformer
- S1-8 ... Band Setting Switch
- S2 ... Power Switch
- S3 ... Dial Lamp Switch