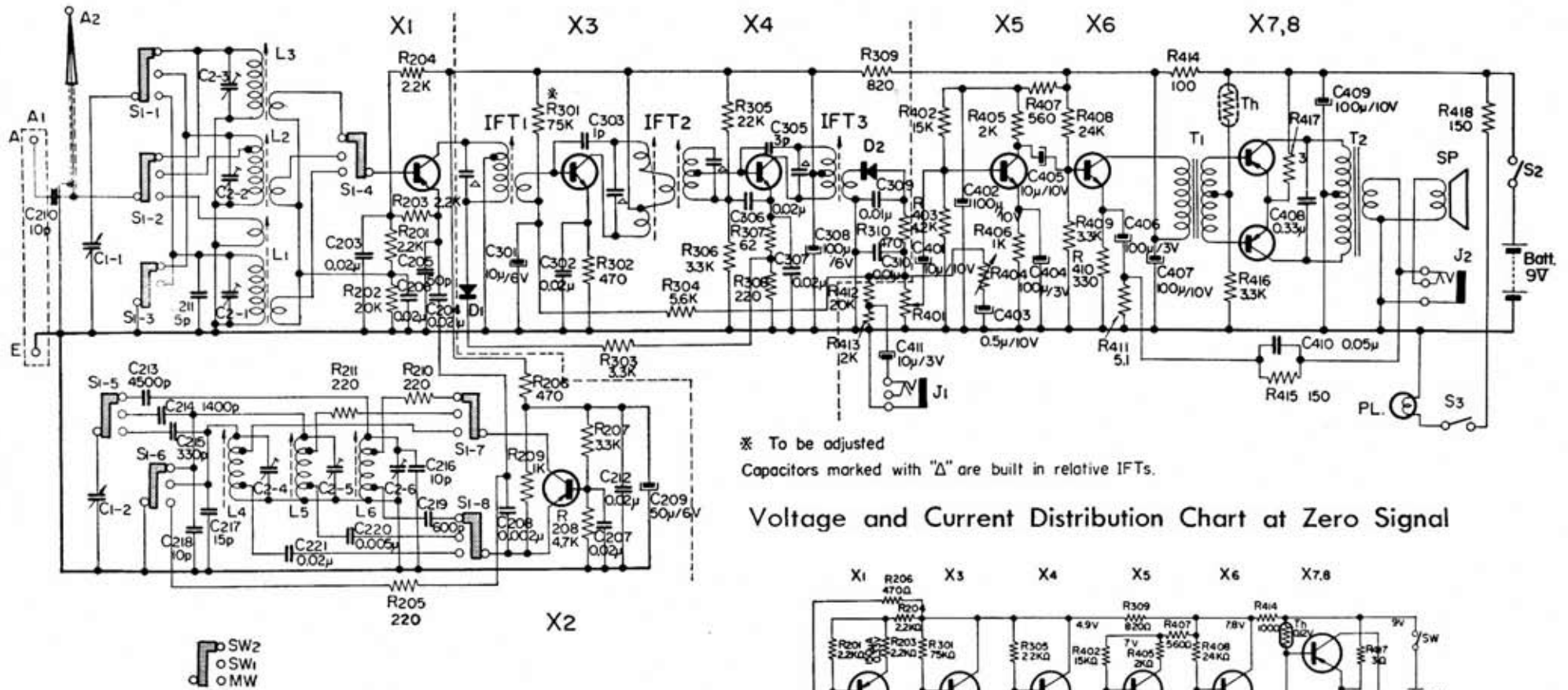


# SONY TR-840



\* To be adjusted  
 Capacitors marked with "Δ" are built in relative IFTs.

## Voltage and Current Distribution Chart at Zero Signal

