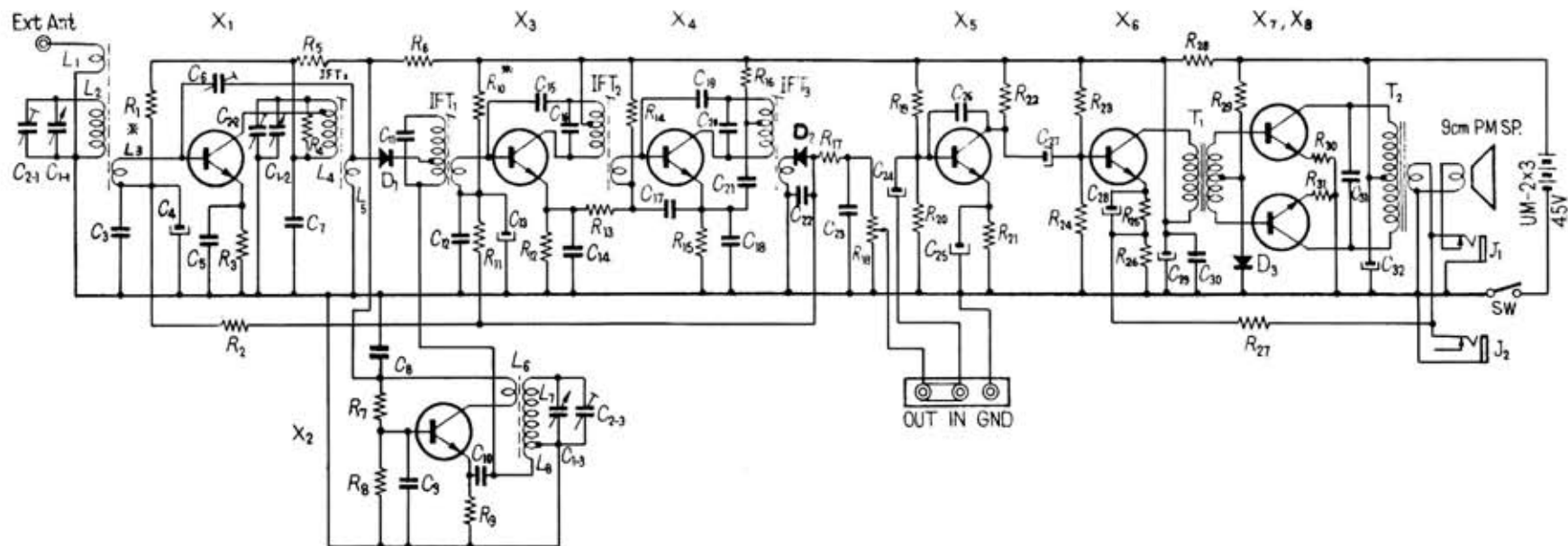


SONY

CIRCUIT DIAGRAM FOR TR-84



C _{1-2,3}	Tuning Capacitor	C ₁₄	0.05 μF	C ₂₇	10 μF 3V	R ₁	56 KΩ ± 5% 1/8 W	R ₂₆	3.3 KΩ ± 5% 1/8 W	X ₁	RF	2T7	L _{1,2,3}	Oscillator Coil
C _{4-5,6}	Trimmer	C ₁₅	2 PF	C ₂₈	30 μF 3V	R ₂	12 KΩ " "	R ₂₇	470 Ω " "	X ₂	OSC.	2T7	IFT ₁	I.F. Trans.
C ₇	0.05 μF	C ₁₆	180 PF (inside IFT)	C ₂₉	100 μF 6V	R ₃	1 KΩ " "	R ₂₈	1 KΩ " "	X ₃	IF.	2T7	IFT ₂	"
C ₈	10 μF 3V	C ₁₇	0.02 μF	C ₃₀	0.05 μF	R ₄ *	56 KΩ " "	R ₂₉	10 KΩ " "	X ₄	IF.	2T7	IFT ₃	"
C ₉	0.005 μF	C ₁₈	0.02 μF	C ₃₁	0.1 μF	R ₅	12 KΩ " "	R ₃₀	3.3 KΩ " "	X ₅	AF.	2T6	T ₁	Input Trans. 15 KΩ-2 KΩ
C ₁₀	2-20 PF Trimmer	C ₁₉	2 PF	C ₃₂	100 μF 6V	R ₆	470 Ω " "	R ₃₁	330 Ω " "	X ₆	AF.	2T6	T ₂	Output Trans. 200 Ω-8 Ω
C ₁₁	0.05 μF	C ₂₀	180 PF (inside IFT)			R ₇	2.2 KΩ " "	R ₃₂	5 Ω " "	X ₇	PA	2T6		
C ₁₂	0.05 μF	C ₂₁	0.05 μF	R ₈ *	150 KΩ ± 5% 1/8 W	R ₁₀	15 KΩ " "	R ₃₃	220 Ω " "	X ₈	PA	2T6		
C ₁₃	0.02 μF	C ₂₂	0.02 μF	R ₉	82 KΩ " "	R ₁₁	470 Ω " "	R ₃₄	60 Ω " "	D ₁	Mix.	1T2		
C ₁₆	0.002 μF	C ₂₃	0.02 μF	R ₁₀	560 Ω " "	R ₁₂	470 Ω " "	R ₃₅	2.2 KΩ " "	D ₂	Det.	1T2		
C ₁₇	180 PF (inside IFT)	C ₂₄	10 μF 3V	R ₁₁	150 KΩ " "	R ₁₃	3.3 KΩ " "	R ₃₆	5 Ω " "	D ₃		1T5		
C ₁₈	0.02 μF	C ₂₅	30 μF 3V	R ₁₂	220 Ω " "	R ₁₄	5 KΩ with Switch	R ₃₇	5 Ω " "	L _{1,2,3}	Bar Antenna			
C ₁₉	10 μF 3V	C ₂₆	0.005 μF	R ₁₃	220 Ω " "	R ₁₅	15 KΩ ± 5% 1/8 W			L _{4,5}	RF Trans.			

Note: * Adjusting Resistor.

SONY CORPORATION