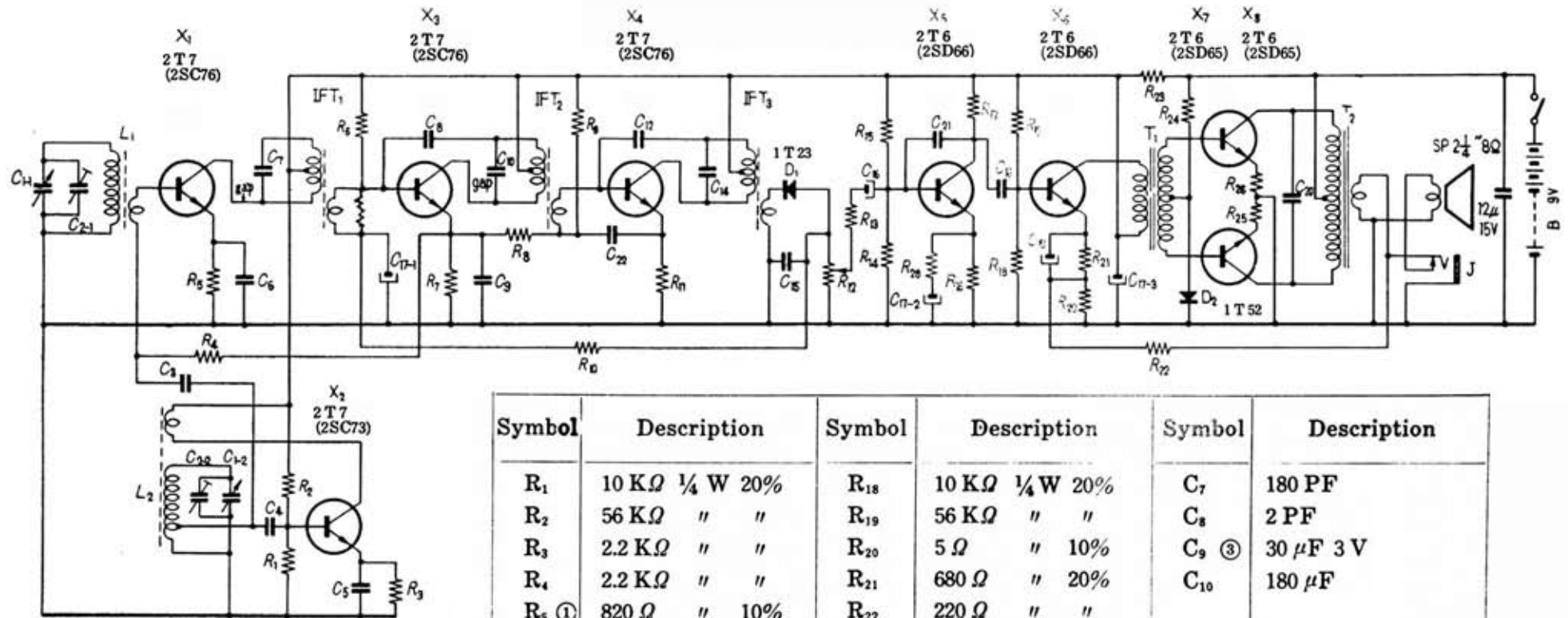


SONY TR-86



Symbol	Description	Symbol	Description	Symbol	Description
R ₁	10 KΩ ¼ W 20%	R ₁₈	10 KΩ ¼ W 20%	C ₇	180 PF
R ₂	56 KΩ " "	R ₁₉	56 KΩ " "	C ₈	2 PF
R ₃	2.2 KΩ " "	R ₂₀	5 Ω " 10%	C ₉ ③	30 μF 3 V
R ₄	2.2 KΩ " "	R ₂₁	680 Ω " 20%	C ₁₀	180 μF
R ₅ ①	820 Ω " 10%	R ₂₂	220 Ω " "	C ₁₂	2 PF
R ₆	82 KΩ " 20%	R ₂₃	220 Ω " "	C ₁₄	180 PF
R ₇	470 Ω " "	R ₂₄	5.6 kΩ " "	C ₁₅	0.02 μF
R ₈	820 Ω " "	R ₂₅	22 Ω " 10%	C ₁₆ ③	5 μF 6 V
R ₉	18 KΩ " "	R ₂₆	22 Ω " "	C ₁₇ ③	20 μF 10 V 3 in block
R ₁₀	7.5 KΩ " "	R ₂₇ ①	33 KΩ " "	C ₁₈ ③	5 μF 6 V
R ₁₁	470 Ω " "	R ₂₈	270 Ω " 20%	C ₁₉ ③	30 μF 3 V
R ₁₂ ②	5 KΩ (RV-234)	C _{1-1, 1-2}	Variable condenser	C ₂₀	0.05 μF
R ₁₃	1.5 KΩ ¼ W 20%	C _{2-1, 2-2}	CV_007-02	C ₂₁	0.001 μF
R ₁₄	10 KΩ " "	C ₃	0.005 μF	C ₂₂	0.01 μF
R ₁₅	56 KΩ " "	C ₄	0.01 μF		
R ₁₆	820 Ω " "	C ₅	0.005 μF		
R ₁₇	2.2 KΩ " "	C ₆	0.01 μF		

SERVICING GUIDE

① To be adjusted. ② With switch. ③ Electrolytic.