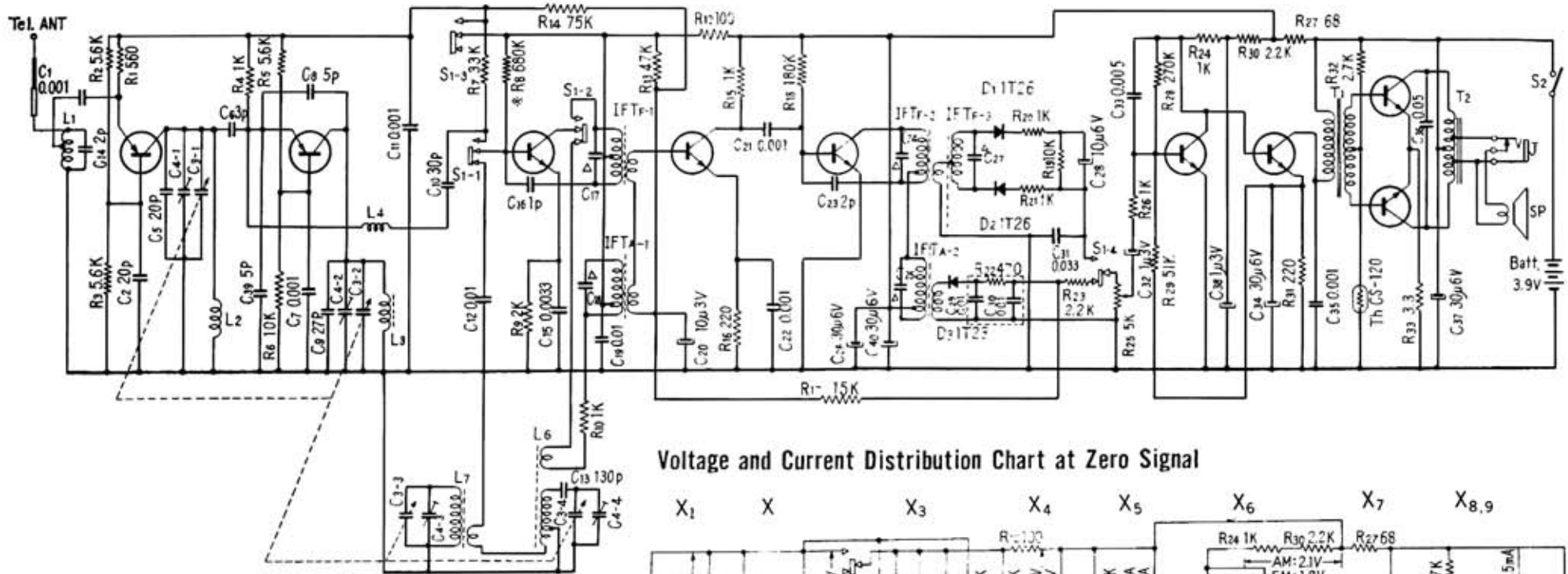
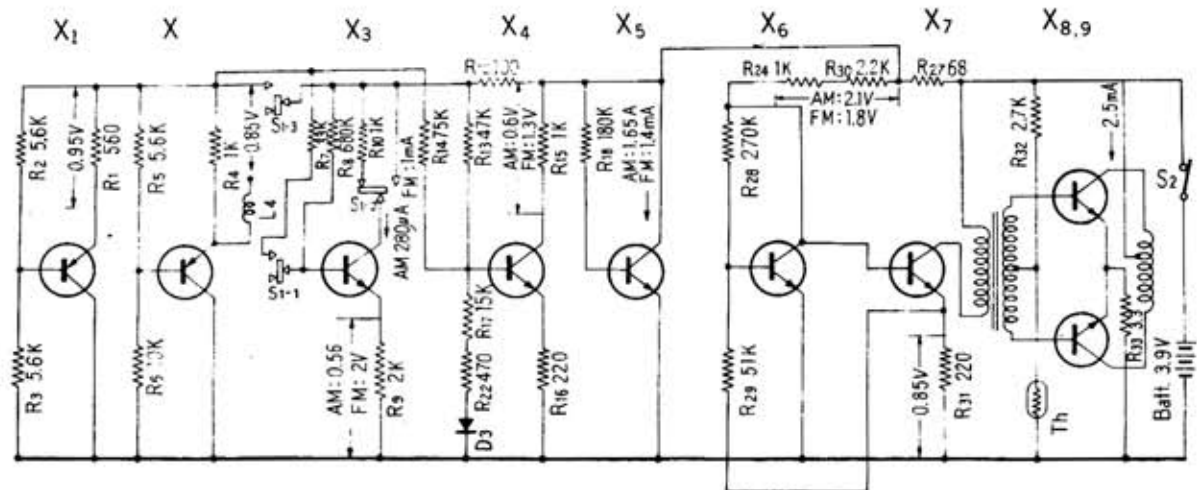


SONY 2F-23W

X₁ 2SA455 X₂ 2SA455 X₃ 2SC403 X₄ 2SC403 X₅ 2SC403 X₆ 2SC402 X₇ 2SC401 X_{8,9} 2SD64



Voltage and Current Distribution Chart at Zero Signal



Note :

* To be adjusted

Capacitors marked with Δ are built in relative IF Transformers

Position of the Band Switch in the Diagram shows AM side

Service Guide