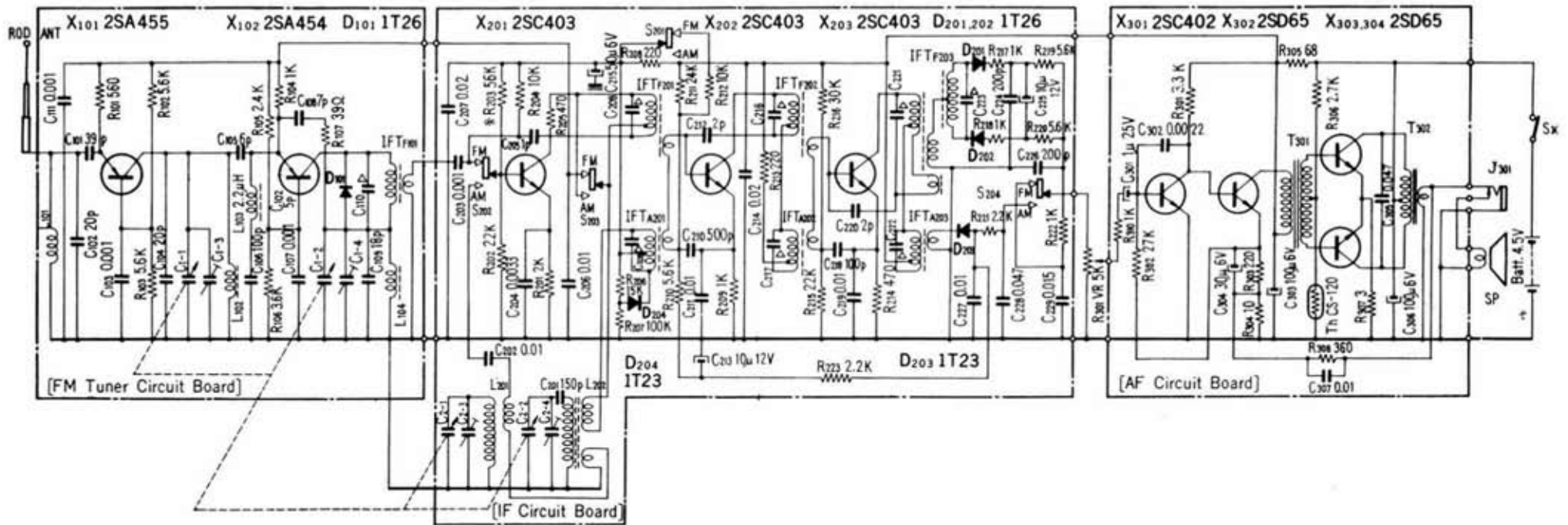
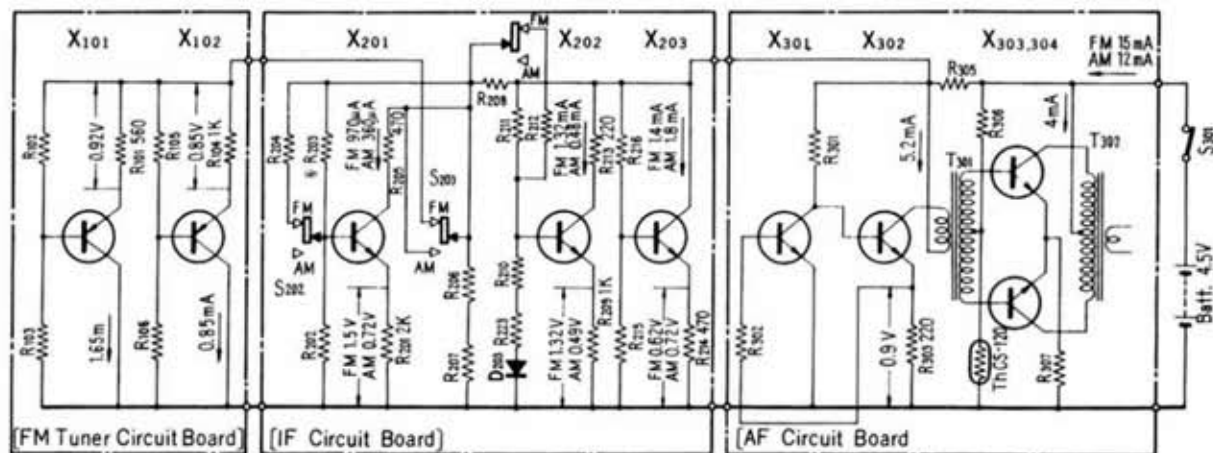


SONY MODEL 3F-61W



- * : To be adjusted
- Capacitors marked with Δ are built in relative IF Transformers.
- Position of the Band Switch (S201-204) in the Diagram shows FM side.



Service Guide