

SONY 3F-66W

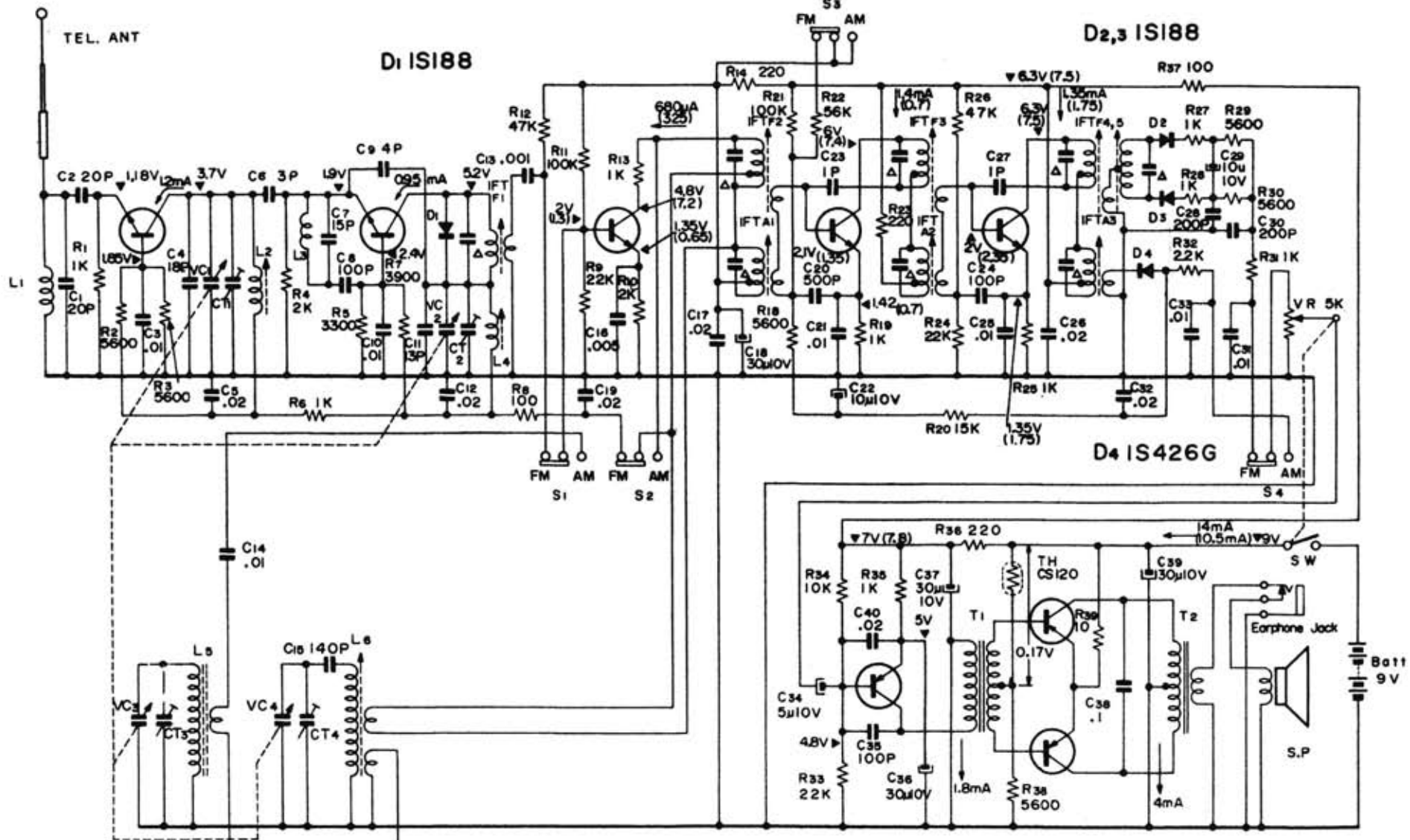
X₁ 2SC668

X₂ 2SC668

X₃ 2SC403

X₄ CS1226

X₅ CS1226



Δ Built in IFT
 Value in the Parentheses are for "AM"
 S₁-S₄: Band Switch
 SW : Power Switch

X₆ 2SB186

X_{7,8} 2SB187