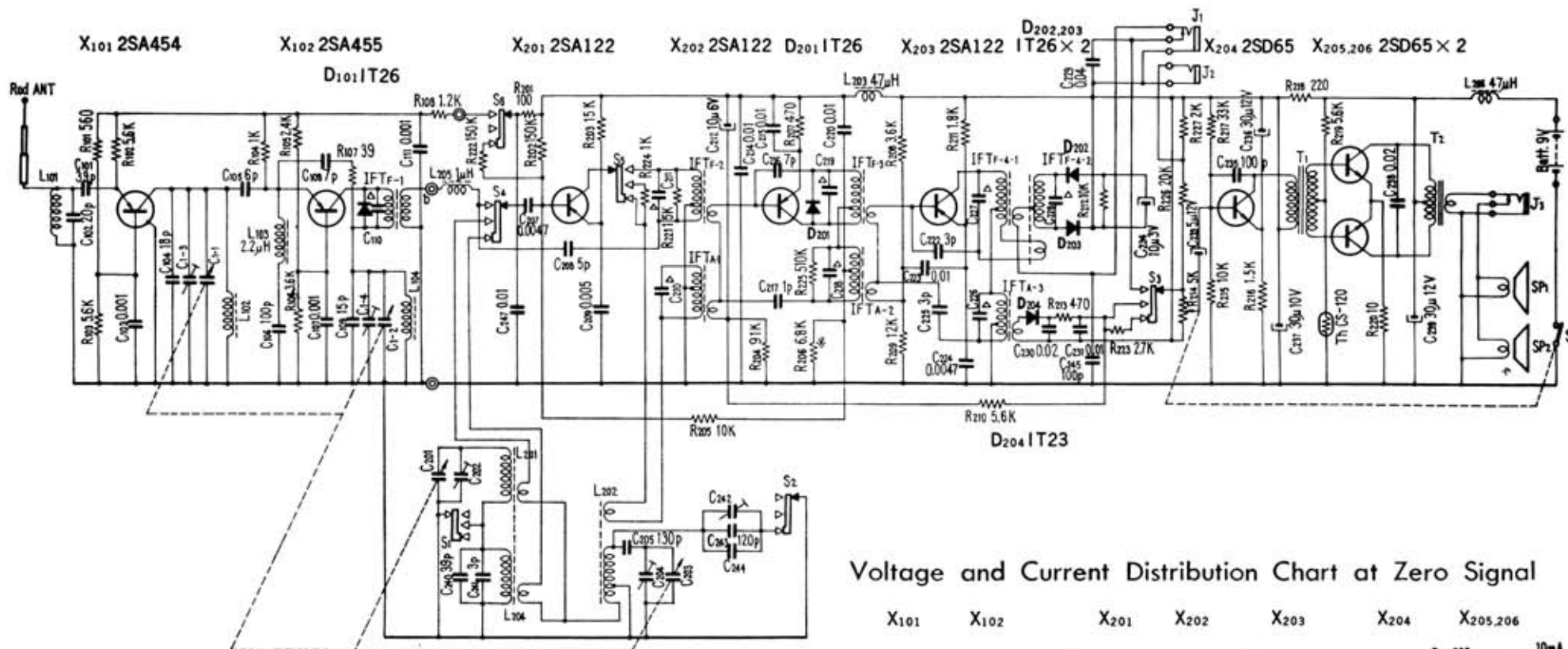
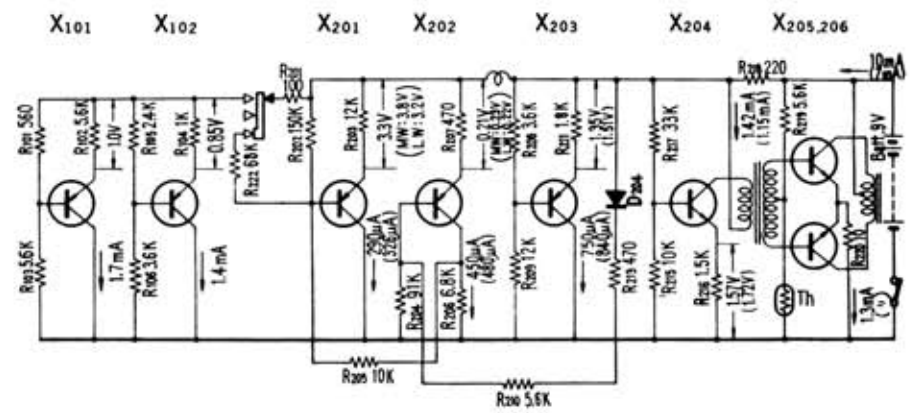


SONY MODEL 4F-53L



* To be adjusted
 Capacitors marked with Δ are built in relative IF Transformers.

Voltage and Current Distribution Chart at Zero Signal



Values in the parenthesis are for "AM".