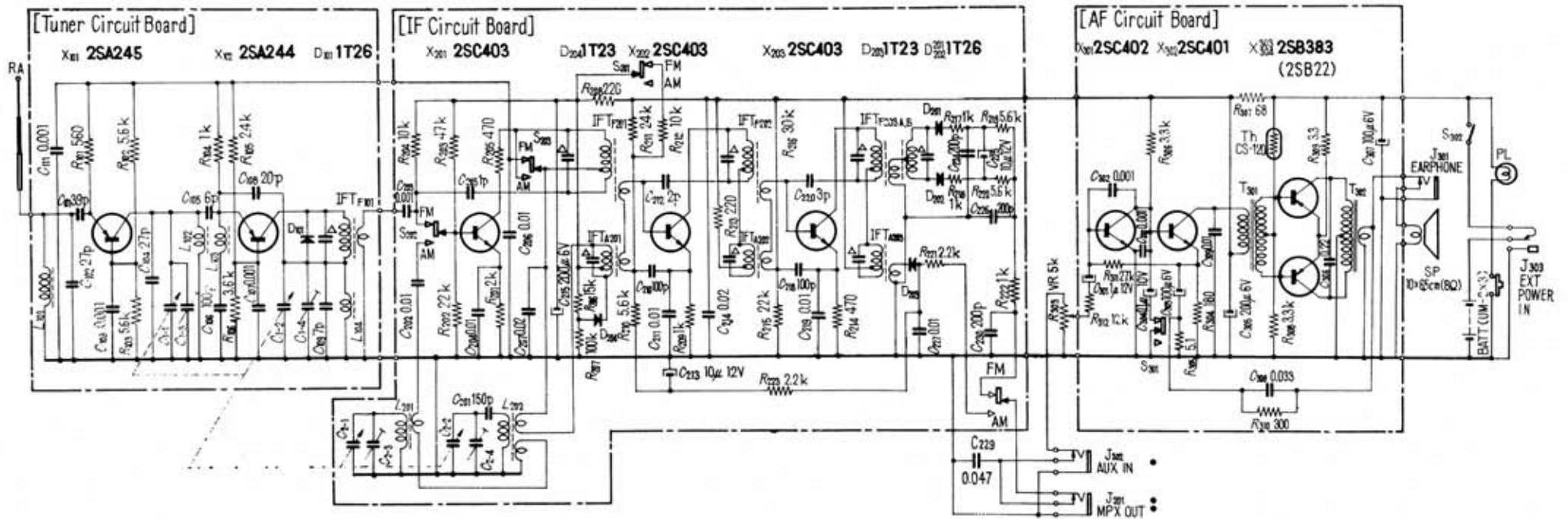
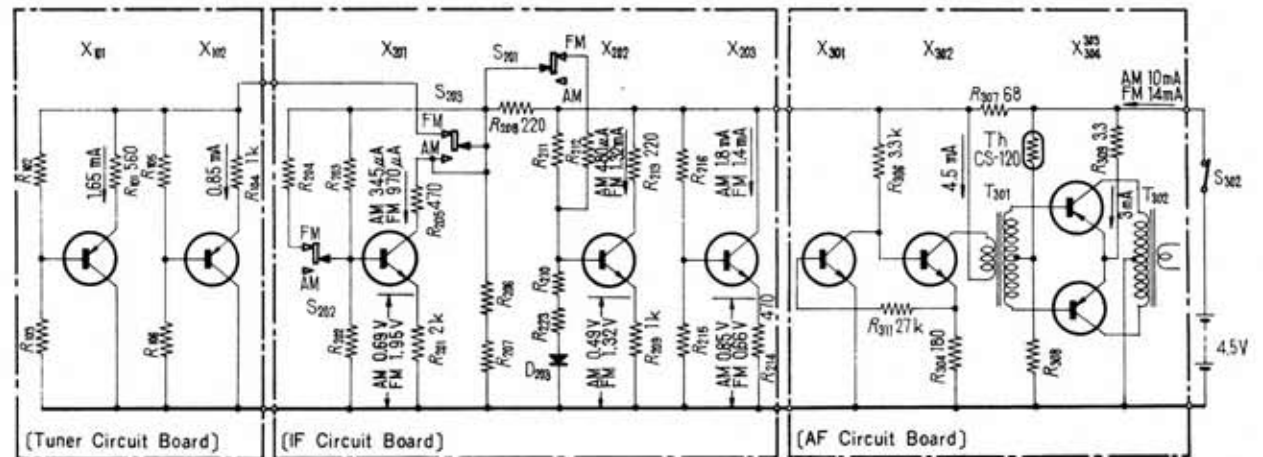


SONY 5F-90W



Voltage and Current Distribution Chart at Zero Signal



* To be adjusted

Capacitors marked with Δ are built in relative IF Transformers.

Position of the Band Switch in the Diagram shows FM side.

Service Guide